

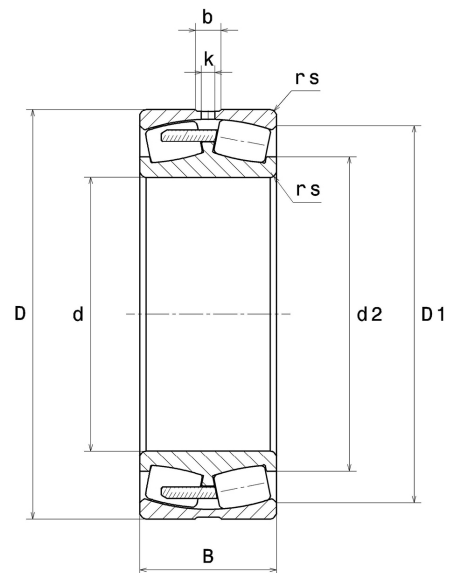
PDF technical sheet 24148VMW33



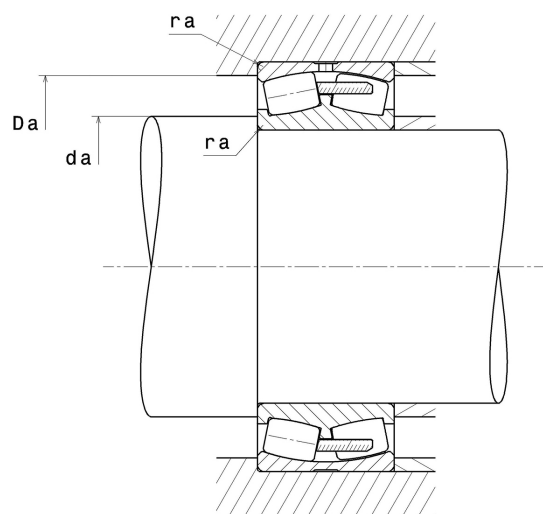
Double row spherical roller bearings

Spherical roller bearing, with central rib on inner ring, one-piece machined cage centred on inner ring, groove and lubrication holes on outer ring

Product definition	
d	9.4488 "
D	15.7480 "
B	6.2992 "
D1	13.2559 "
rs min	0.1575 "
Number of lubrication holes	3
b	0.4370 "
k	0.2362 "
e	0.38
Y1	1.79
Y2	2.67
Y0	1.75
Radial clearance class	CN
Mass	291.01 oz
Brand	SNR



Product performance	
Dynamic load, C	2,280 kN
Static load, C0	4,260 kN
Fatigue limit load, Cu	211 kN
Nref	750 RPM
Nlim	1,300 RPM
Min operating temperature, Tmin	-40 °C
Max operating temperature, Tmax	392 °C
Characteristic cage frequency, FTF	0.44 Hz
Characteristic rolling element frequency, BSF	7.86 Hz
Characteristic outer ring frequency, BPF0	9.66 Hz
Characteristic inner ring frequency, BPF1	12.34 Hz



Abutment dimensions

da min	10.1181 "
Da max	15.0787 "
ra max	0.1181 "

Calculation factors

Equivalent dynamic radial load

$$P = X.F_r + Y.F_a$$

Fa / Fr ≤ e		Fa / Fr > e	
X	Y	X	Y
1	Y1	0.67	Y2

Equivalent static radial load

$$P_0 = X_0.F_r + Y_0.F_a$$

X ₀	Y ₀
1	Y0

The values for e, Y1, Y2 and Y0 are shown in the above table .