

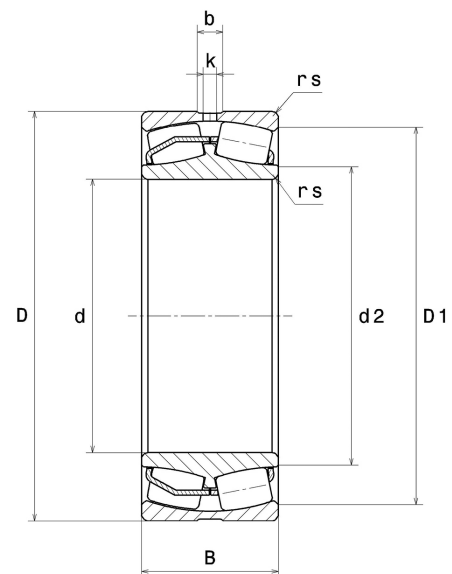
## PDF technical sheet 24136EAW33C3



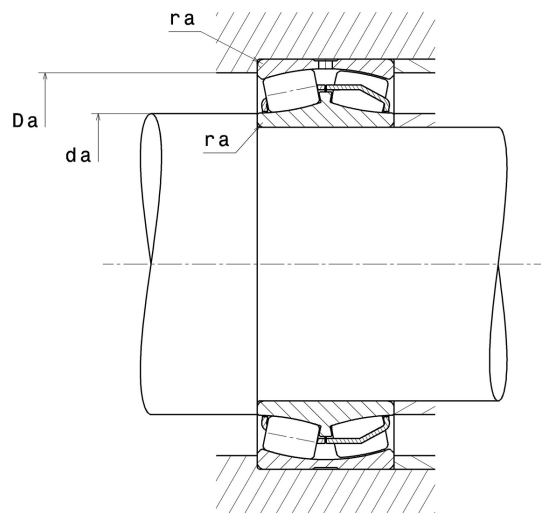
### Double row spherical roller bearings

Spherical roller bearing, with central rib on inner ring, pressed steel cage, groove and lubrication holes on outer ring

Product definition	
d	7.0866 "
D	11.8110 "
B	4.6457 "
d2	7.9055 "
D1	10.2520 "
rs min	0.1181 "
Number of lubrication holes	3
b	0.5551 "
k	0.2362 "
e	0.38
Y1	1.78
Y2	2.66
Y0	1.74
Radial clearance class	C3
Mass	119.58 oz
Brand	SNR



Product performance	
Dynamic load, C	1,550 kN
Static load, C0	2,050 kN
Fatigue limit load, Cu	123 kN
Nref	1,200 RPM
Nlim	1,700 RPM
Min operating temperature, Tmin	-40 °C
Max operating temperature, Tmax	392 °C
Characteristic cage frequency, FTF	0.43 Hz
Characteristic rolling element frequency, BSF	7.14 Hz
Characteristic outer ring frequency, BPF0	8.67 Hz
Characteristic inner ring frequency, BPF1	11.33 Hz



### Abutment dimensions

da min	7.6378 "
Da max	11.2598 "
ra max	0.0984 "

### Calculation factors

#### Equivalent dynamic radial load

$$P = X.F_r + Y.F_a$$

Fa / Fr ≤ e		Fa / Fr > e	
X	Y	X	Y
1	Y1	0.67	Y2

#### Equivalent static radial load

$$P_0 = X_0.F_r + Y_0.F_a$$

X <sub>0</sub>	Y <sub>0</sub>
1	Y0

The values for e, Y1, Y2 and Y0 are shown in the above table .