

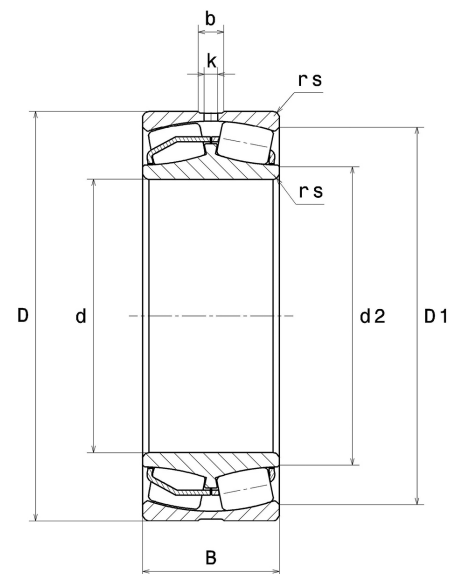
PDF technical sheet 24130EAW33C3



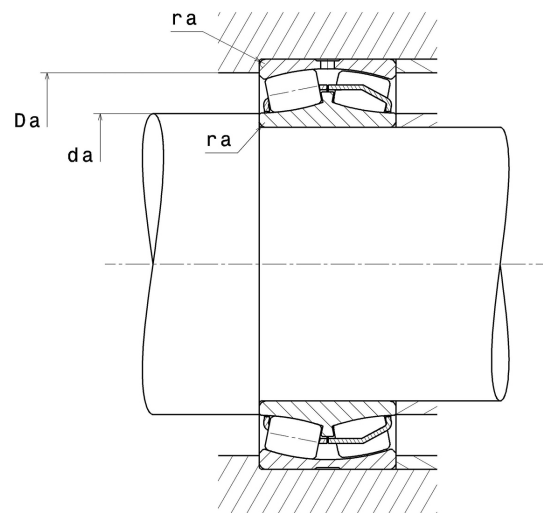
Double row spherical roller bearings

Spherical roller bearing, with central rib on inner ring, pressed steel cage, groove and lubrication holes on outer ring

Product definition	
d	5.9055 "
D	9.8425 "
B	3.9370 "
d2	6.5276 "
D1	8.5866 "
rs min	0.0827 "
Number of lubrication holes	3
b	0.4094 "
k	0.1969 "
e	0.38
Y1	1.78
Y2	2.66
Y0	1.74
Radial clearance class	C3
Mass	70.20 oz
Brand	SNR



Product performance	
Dynamic load, C	1,120 kN
Static load, C0	1,400 kN
Fatigue limit load, Cu	90.90 kN
Nref	1,600 RPM
Nlim	2,000 RPM
Min operating temperature, Tmin	-40 °C
Max operating temperature, Tmax	392 °C
Characteristic cage frequency, FTF	0.43 Hz
Characteristic rolling element frequency, BSF	6.79 Hz
Characteristic outer ring frequency, BPF0	8.17 Hz
Characteristic inner ring frequency, BPF1	10.83 Hz



Abutment dimensions

da min	6.3780 "
Da max	9.3701 "
ra max	0.0787 "

Calculation factors

Equivalent dynamic radial load

$$P = X.F_r + Y.F_a$$

Fa / Fr ≤ e		Fa / Fr > e	
X	Y	X	Y
1	Y1	0.67	Y2

Equivalent static radial load

$$P_0 = X_0.F_r + Y_0.F_a$$

X ₀	Y ₀
1	Y0

The values for e, Y1, Y2 and Y0 are shown in the above table .