

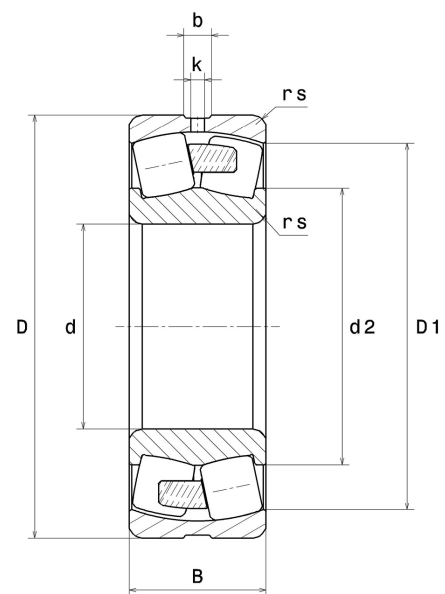
PDF technical sheet 24056EMW33



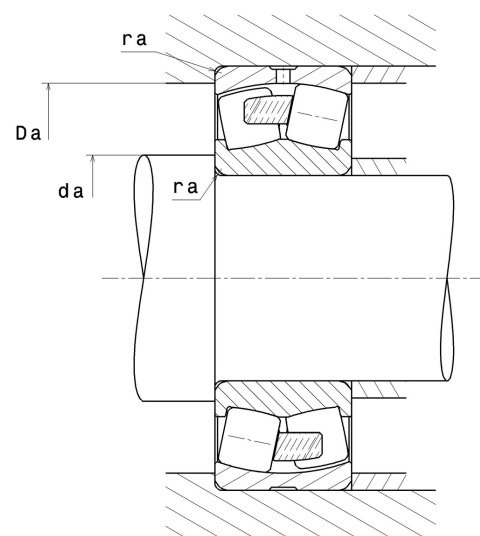
Double row spherical roller bearings

Spherical roller bearing, one-piece machined cage, groove and lubrication holes on outer ring

Product definition	
d	11.0236 "
D	16.5354 "
B	5.5118 "
D1	14.8583 "
rs min	0.1575 "
Number of lubrication holes	3
b	0.6457 "
k	0.3150 "
e	0.3
Y1	2.25
Y2	3.34
Y0	2.2
Radial clearance class	CN
Mass	232.81 oz
Brand	SNR



Product performance	
Dynamic load, C	2,720 kN
Static load, C0	4,120 kN
Fatigue limit load, Cu	223 kN
Nref	900 RPM
Nlim	1,500 RPM
Min operating temperature, Tmin	104 °C
Max operating temperature, Tmax	392 °C
Characteristic cage frequency, FTF	0.44 Hz
Characteristic rolling element frequency, BSF	8.52 Hz
Characteristic outer ring frequency, BPF0	10.64 Hz
Characteristic inner ring frequency, BPF1	13.36 Hz



Abutment dimensions

da min	11.5984 "
Da max	15.9606 "
ra max	0.1181 "

Calculation factors

Equivalent dynamic radial load

$$P = X.F_r + Y.F_a$$

Fa / Fr ≤ e		Fa / Fr > e	
X	Y	X	Y
1	Y1	0.67	Y2

Equivalent static radial load

$$P_0 = X_0.F_r + Y_0.F_a$$

X ₀	Y ₀
1	Y0

The values for e, Y1, Y2 and Y0 are shown in the above table .