

PDF technical sheet 24030EAW33



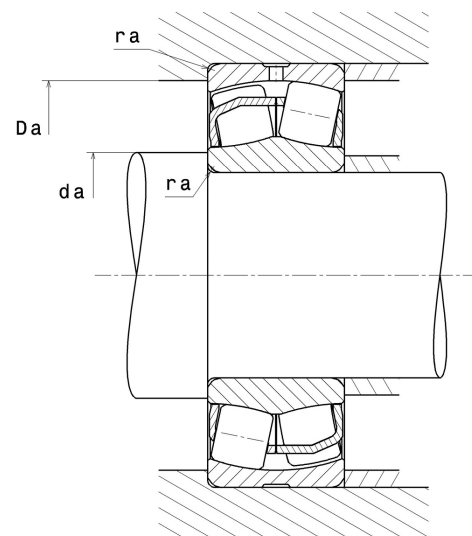
Double row spherical roller bearings

Spherical roller bearing, pressed steel cage, groove and lubrication holes on outer ring

Product definition	
d	5.9055 "
D	8.8583 "
B	2.9528 "
d2	6.4134 "
D1	7.9843 "
rs min	0.0827 "
Number of lubrication holes	3
b	0.3504 "
k	0.1575 "
e	0.3
Y1	2.25
Y2	3.34
Y0	2.2
Radial clearance class	CN
Mass	35.42 oz
Brand	SNR



Product performance	
Dynamic load, C	832 kN
Static load, C0	1,140 kN
Fatigue limit load, Cu	77.10 kN
Nref	1,900 RPM
Nlim	2,700 RPM
Min operating temperature, Tmin	-40 °C
Max operating temperature, Tmax	392 °C
Characteristic cage frequency, FTF	0.44 Hz
Characteristic rolling element frequency, BSF	8.55 Hz
Characteristic outer ring frequency, BPF0	10.64 Hz
Characteristic inner ring frequency, BPF1	13.36 Hz



Abutment dimensions

da min	6.3071 "
Da max	8.4567 "
ra max	0.0787 "

Calculation factors

Equivalent dynamic radial load

$$P = X.F_r + Y.F_a$$

Fa / Fr ≤ e		Fa / Fr > e	
X	Y	X	Y
1	Y1	0.67	Y2

Equivalent static radial load

$$P_0 = X_0.F_r + Y_0.F_a$$

X ₀	Y ₀
1	Y0

The values for e, Y1, Y2 and Y0 are shown in the above table .