

PDF technical sheet 24026EAC4

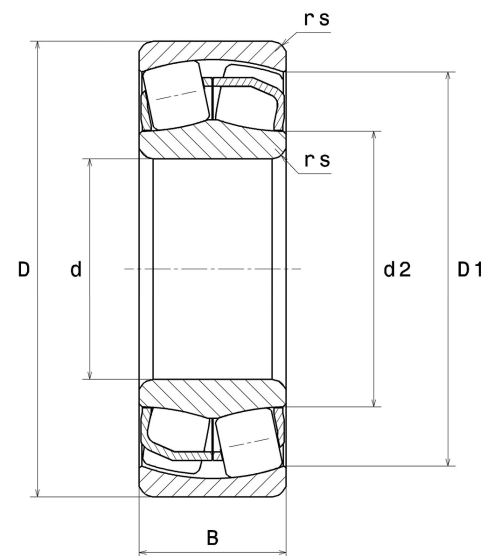


Double row spherical roller bearings

Spherical roller bearing, pressed steel cage

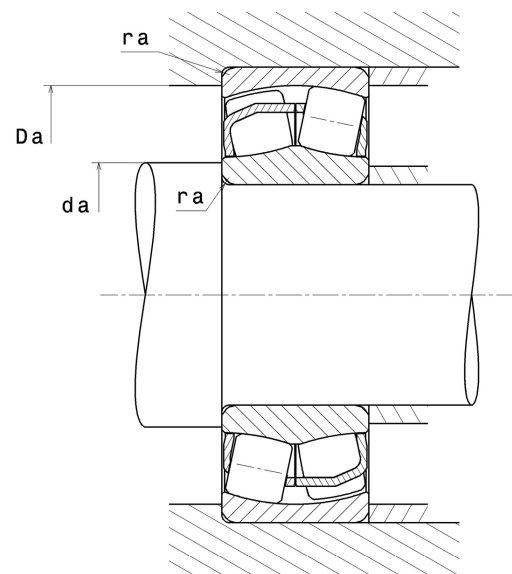
Product definition

d	5.1181 "
D	7.8740 "
B	2.7165 "
d2	5.6299 "
D1	7.0315 "
rs min	0.0787 "
Number of lubrication holes	
e	0.31
Y1	2.18
Y2	3.25
Y0	2.13
Radial clearance class	C4
Mass	26.81 oz
Brand	SNR



Product performance

Dynamic load, C	684 kN
Static load, C0	909 kN
Fatigue limit load, Cu	62.50 kN
Nref	2,300 RPM
Nlim	3,100 RPM
Min operating temperature, Tmin	-40 °C
Max operating temperature, Tmax	392 °C
Characteristic cage frequency, FTF	0.44 Hz
Characteristic rolling element frequency, BSF	8.26 Hz
Characteristic outer ring frequency, BPF0	10.16 Hz
Characteristic inner ring frequency, BPF1	12.85 Hz



Abutment dimensions

da min	5.4646 "
Da max	7.5276 "
ra max	0.0787 "

Calculation factors

Equivalent dynamic radial load

$$P = X.F_r + Y.F_a$$

Fa / Fr ≤ e		Fa / Fr > e	
X	Y	X	Y
1	Y1	0.67	Y2

Equivalent static radial load

$$P_0 = X_0.F_r + Y_0.F_a$$

X ₀	Y ₀
1	Y0

The values for e, Y1, Y2 and Y0 are shown in the above table .