

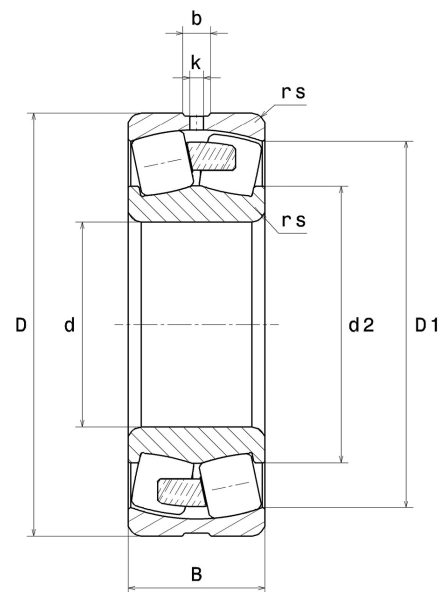
PDF technical sheet 23252EMW33C3



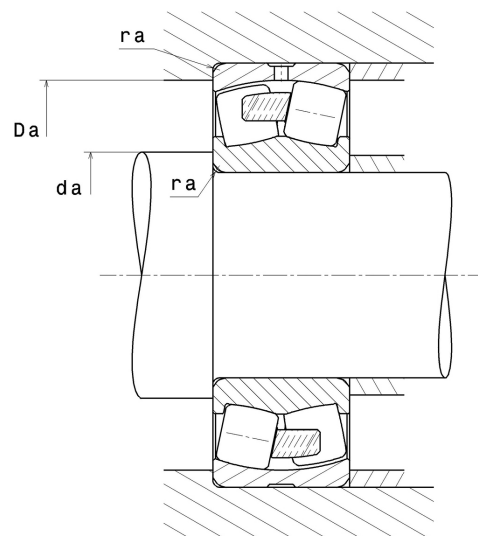
Double row spherical roller bearings

Spherical roller bearing, one-piece machined cage, groove and lubrication holes on outer ring

Product definition	
d	10.2362 "
D	18.8976 "
B	6.8504 "
D1	16.3031 "
rs min	0.1969 "
Number of lubrication holes	8
b	1.0630 "
k	0.6299 "
e	0.35
Y1	1.92
Y2	2.86
Y0	1.88
Radial clearance class	C3
Mass	495.95 oz
Brand	SNR



Product performance	
Dynamic load, C	3,940 kN
Static load, C0	5,340 kN
Fatigue limit load, Cu	284 kN
Nref	690 RPM
Nlim	1,300 RPM
Min operating temperature, Tmin	-40 °C
Max operating temperature, Tmax	392 °C
Characteristic cage frequency, FTF	0.43 Hz
Characteristic rolling element frequency, BSF	6.40 Hz
Characteristic outer ring frequency, BPF0	8.09 Hz
Characteristic inner ring frequency, BPF1	10.92 Hz



Abutment dimensions

da min	11.0236 "
Da max	18.1102 "
ra max	0.1575 "

Calculation factors

Equivalent dynamic radial load

$$P = X.F_r + Y.F_a$$

Fa / Fr ≤ e		Fa / Fr > e	
X	Y	X	Y
1	Y1	0.67	Y2

Equivalent static radial load

$$P_0 = X_0.F_r + Y_0.F_a$$

X ₀	Y ₀
1	Y0

The values for e, Y1, Y2 and Y0 are shown in the above table .