

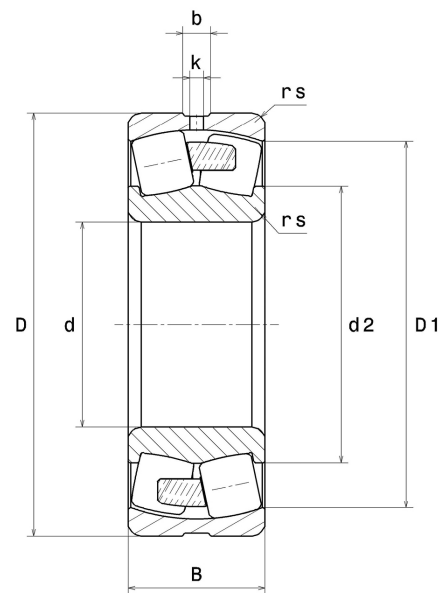
## PDF technical sheet 23222EMW33



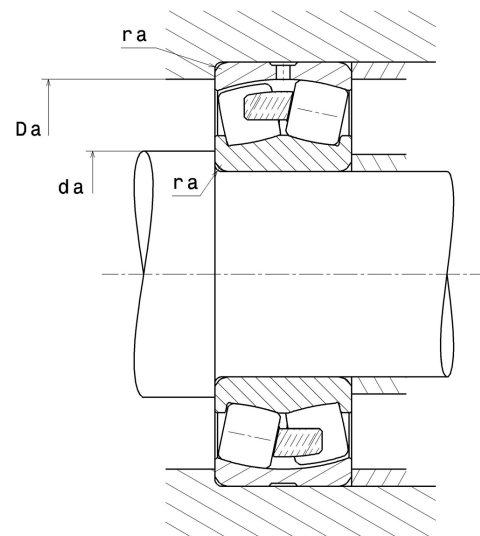
### Double row spherical roller bearings

Spherical roller bearing, one-piece machined cage, groove and lubrication holes on outer ring

Product definition	
d	4.3307 "
D	7.8740 "
B	2.7480 "
d2	5.1260 "
D1	6.9213 "
rs min	0.0827 "
Number of lubrication holes	3
b	0.4134 "
k	0.1969 "
e	0.32
Y1	2.12
Y2	3.15
Y0	2.07
Radial clearance class	CN
Mass	33.12 oz
Brand	SNR



Product performance	
Dynamic load, C	752 kN
Static load, C0	869 kN
Fatigue limit load, Cu	63.90 kN
Nref	2,300 RPM
Nlim	3,000 RPM
Min operating temperature, Tmin	-40 °C
Max operating temperature, Tmax	392 °C
Characteristic cage frequency, FTF	0.42 Hz
Characteristic rolling element frequency, BSF	6.25 Hz
Characteristic outer ring frequency, BPF0	7.62 Hz
Characteristic inner ring frequency, BPF1	10.38 Hz



### Abutment dimensions

da min	4.8031 "
Da max	7.4016 "
ra max	0.0787 "

### Calculation factors

#### Equivalent dynamic radial load

$$P = X.F_r + Y.F_a$$

Fa / Fr ≤ e		Fa / Fr > e	
X	Y	X	Y
1	Y1	0.67	Y2

#### Equivalent static radial load

$$P_0 = X_0.F_r + Y_0.F_a$$

X <sub>0</sub>	Y <sub>0</sub>
1	Y0

The values for e, Y1, Y2 and Y0 are shown in the above table .