

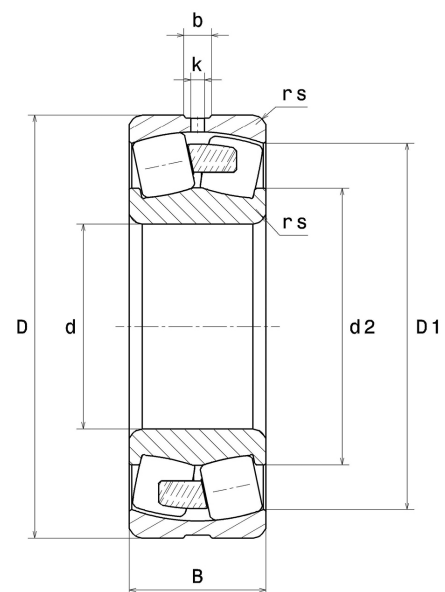
## PDF technical sheet 23172EMW33C4



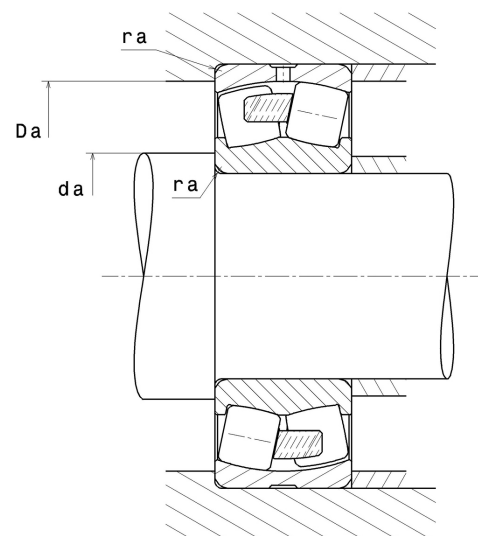
### Double row spherical roller bearings

Spherical roller bearing, one-piece machined cage, groove and lubrication holes on outer ring

Product definition	
d	14.1732 "
D	23.6220 "
B	7.5591 "
d2	17.5512 "
D1	20.9331 "
rs min	0.1969 "
Number of lubrication holes	8
b	1.0630 "
k	0.6299 "
e	0.3
Y1	2.28
Y2	3.39
Y0	2.23
Radial clearance class	C4
Mass	796.13 oz
Brand	SNR



Product performance	
Dynamic load, C	5,180 kN
Static load, C0	8,220 kN
Fatigue limit load, Cu	407 kN
Nref	590 RPM
Nlim	1,000 RPM
Min operating temperature, Tmin	-40 °C
Max operating temperature, Tmax	392 °C
Characteristic cage frequency, FTF	0.44 Hz
Characteristic rolling element frequency, BSF	8.43 Hz
Characteristic outer ring frequency, BPF0	10.62 Hz
Characteristic inner ring frequency, BPF1	13.38 Hz



### Abutment dimensions

da min	14.9606 "
Da max	22.8346 "
ra max	0.1575 "

### Calculation factors

#### Equivalent dynamic radial load

$$P = X.F_r + Y.F_a$$

Fa / Fr ≤ e		Fa / Fr > e	
X	Y	X	Y
1	Y1	0.67	Y2

#### Equivalent static radial load

$$P_0 = X_0.F_r + Y_0.F_a$$

X <sub>0</sub>	Y <sub>0</sub>
1	Y0

The values for e, Y1, Y2 and Y0 are shown in the above table .