

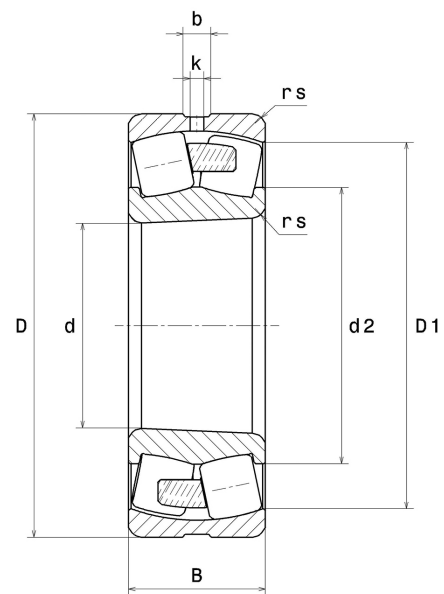
PDF technical sheet 23152EMKW33C3



Double row spherical roller bearings

Spherical roller bearing, one-piece machined cage, groove and lubrication holes on outer ring, tapered bore 1:12

Product definition	
d	10.2362 "
D	17.3228 "
B	5.6693 "
d2	12.7126 "
D1	15.3110 "
rs min	0.1575 "
Number of lubrication holes	8
b	0.7933 "
k	0.4724 "
Associated sleeve reference	H3152H
e	0.3
Y1	2.25
Y2	3.34
Y0	2.2
Radial clearance class	C3
Mass	311.47 oz
Brand	SNR



Product performance	
Dynamic load, C	2,930 kN
Static load, C0	4,340 kN
Fatigue limit load, Cu	239 kN
Nref	950 RPM
Nlim	1,400 RPM
Min operating temperature, Tmin	-40 °C
Max operating temperature, Tmax	392 °C
Characteristic cage frequency, FTF	0.44 Hz
Characteristic rolling element frequency, BSF	8.13 Hz
Characteristic outer ring frequency, BPF0	10.13 Hz
Characteristic inner ring frequency, BPF1	12.87 Hz



Abutment dimensions

da min	10.9055 "
db min	10.8661 "
Ce min	0.4331 "
Da max	16.6535 "
ra max	0.1181 "

Calculation factors

Equivalent dynamic radial load

$$P = X.F_r + Y.F_a$$

Fa / Fr ≤ e		Fa / Fr > e	
X	Y	X	Y
1	Y1	0.67	Y2

Equivalent static radial load

$$P_0 = X_0.F_r + Y_0.F_a$$

X ₀	Y ₀
1	Y0

The values for e, Y1, Y2 and Y0 are shown in the above table .