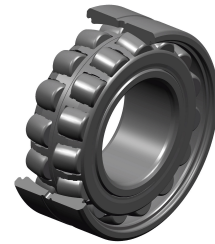


## PDF technical sheet 23136EAW33



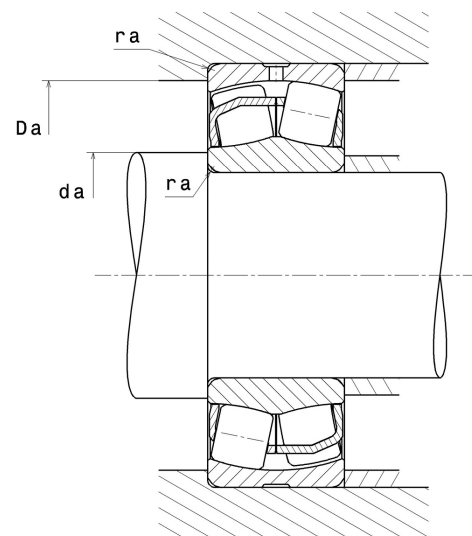
### Double row spherical roller bearings

Spherical roller bearing, pressed steel cage, groove and lubrication holes on outer ring

Product definition	
d	7.0866 "
D	11.8110 "
B	3.7795 "
d2	8.1102 "
D1	10.5039 "
rs min	0.1181 "
Number of lubrication holes	3
b	0.5866 "
k	0.2756 "
e	0.29
Y1	2.32
Y2	3.45
Y0	2.26
Radial clearance class	CN
Mass	95.98 oz
Brand	SNR



Product performance	
Dynamic load, C	1,490 kN
Static load, C0	1,960 kN
Fatigue limit load, Cu	128 kN
Nref	1,600 RPM
Nlim	2,100 RPM
Min operating temperature, Tmin	-40 °C
Max operating temperature, Tmax	392 °C
Characteristic cage frequency, FTF	0.43 Hz
Characteristic rolling element frequency, BSF	7.26 Hz
Characteristic outer ring frequency, BPF0	9.11 Hz
Characteristic inner ring frequency, BPF1	11.90 Hz



### Abutment dimensions

da min	7.6378 "
Da max	11.2598 "
ra max	0.0984 "

### Calculation factors

#### Equivalent dynamic radial load

$$P = X.F_r + Y.F_a$$

Fa / Fr ≤ e		Fa / Fr > e	
X	Y	X	Y
1	Y1	0.67	Y2

#### Equivalent static radial load

$$P_0 = X_0.F_r + Y_0.F_a$$

X <sub>0</sub>	Y <sub>0</sub>
1	Y0

The values for e, Y1, Y2 and Y0 are shown in the above table .