

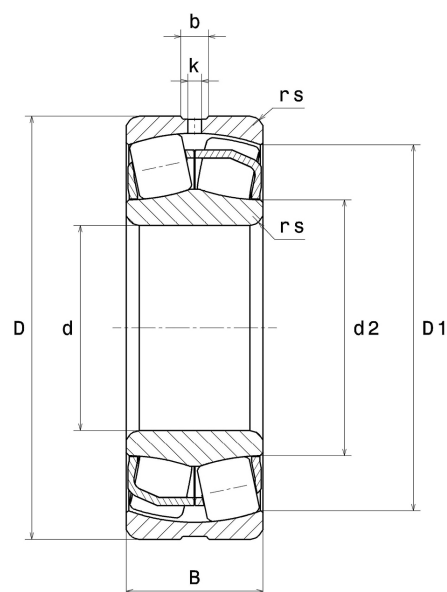
PDF technical sheet 23130EAW33



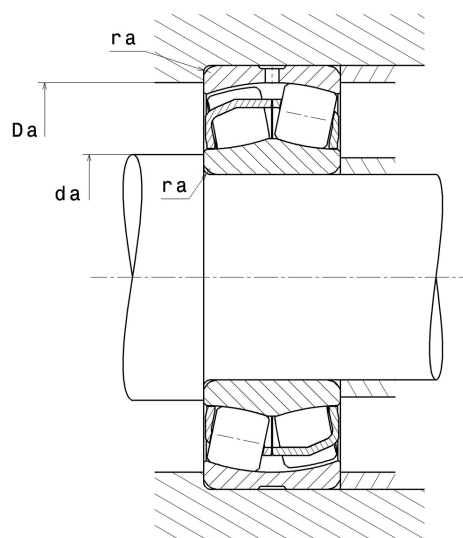
Double row spherical roller bearings

Spherical roller bearing, pressed steel cage, groove and lubrication holes on outer ring

Product definition	
d	5.9055 "
D	9.8425 "
B	3.1496 "
d2	6.7677 "
D1	8.7559 "
rs min	0.0827 "
Number of lubrication holes	3
b	0.4961 "
k	0.2362 "
e	0.29
Y1	2.35
Y2	3.5
Y0	2.3
Radial clearance class	CN
Mass	55.45 oz
Brand	SNR



Product performance	
Dynamic load, C	1,060 kN
Static load, C0	1,350 kN
Fatigue limit load, Cu	93.60 kN
Nref	2,000 RPM
Nlim	2,600 RPM
Min operating temperature, Tmin	-40 °C
Max operating temperature, Tmax	392 °C
Characteristic cage frequency, FTF	0.43 Hz
Characteristic rolling element frequency, BSF	7.26 Hz
Characteristic outer ring frequency, BPF0	9.11 Hz
Characteristic inner ring frequency, BPF1	11.90 Hz



Abutment dimensions

da min	6.3780 "
Da max	9.3701 "
ra max	0.0787 "

Calculation factors

Equivalent dynamic radial load

$$P = X.F_r + Y.F_a$$

Fa / Fr ≤ e		Fa / Fr > e	
X	Y	X	Y
1	Y1	0.67	Y2

Equivalent static radial load

$$P_0 = X_0.F_r + Y_0.F_a$$

X ₀	Y ₀
1	Y0

The values for e, Y1, Y2 and Y0 are shown in the above table .