

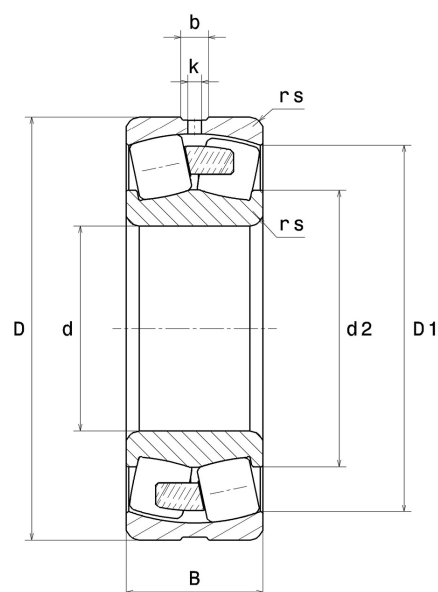
PDF technical sheet 23080EMW33



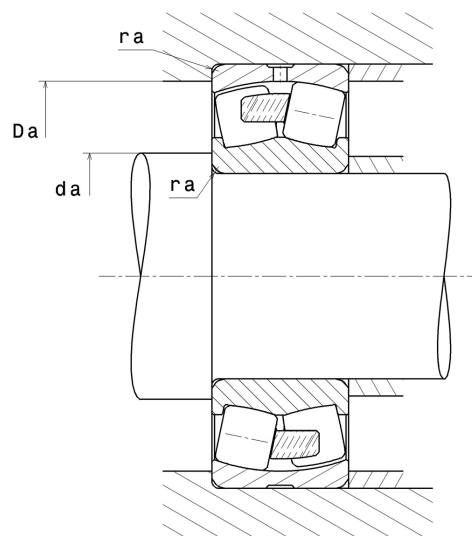
Double row spherical roller bearings

Spherical roller bearing, one-piece machined cage, groove and lubrication holes on outer ring

Product definition	
d	15.7480 "
D	23.6220 "
B	5.8268 "
d2	18.5197 "
D1	21.5276 "
rs min	0.1969 "
Number of lubrication holes	8
b	0.7913 "
k	0.4724 "
e	0.22
Y1	3.01
Y2	4.48
Y0	2.94
Radial clearance class	CN
Mass	541.56 oz
Brand	SNR



Product performance	
Dynamic load, C	4,010 kN
Static load, C0	6,680 kN
Fatigue limit load, Cu	417 kN
Nref	750 RPM
Nlim	1,200 RPM
Min operating temperature, Tmin	-40 °C
Max operating temperature, Tmax	392 °C
Characteristic cage frequency, FTF	0.45 Hz
Characteristic rolling element frequency, BSF	10.22 Hz
Characteristic outer ring frequency, BPF0	13.56 Hz
Characteristic inner ring frequency, BPF1	16.44 Hz



Abutment dimensions

da min	16.4567 "
Da max	22.9134 "
ra max	0.1575 "

Calculation factors

Equivalent dynamic radial load

$$P = X.F_r + Y.F_a$$

Fa / Fr ≤ e		Fa / Fr > e	
X	Y	X	Y
1	Y1	0.67	Y2

Equivalent static radial load

$$P_o = X_o.F_r + Y_o.F_a$$

X ₀	Y ₀
1	Y0

The values for e, Y1, Y2 and Y0 are shown in the above table .