

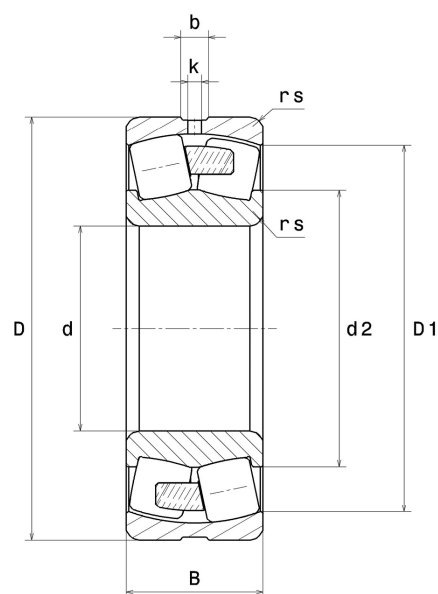
## PDF technical sheet 23076EMW33C4



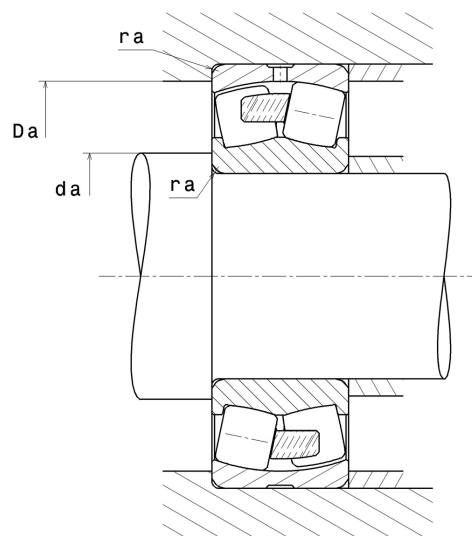
### Double row spherical roller bearings

Spherical roller bearing, one-piece machined cage, groove and lubrication holes on outer ring

Product definition	
d	14.9606 "
D	22.0472 "
B	5.3150 "
d2	17.4252 "
D1	20.1772 "
rs min	0.1969 "
Number of lubrication holes	8
b	0.7913 "
k	0.4724 "
e	0.22
Y1	3.07
Y2	4.57
Y0	3
Radial clearance class	C4
Mass	444.80 oz
Brand	SNR



Product performance	
Dynamic load, C	3,380 kN
Static load, C0	5,620 kN
Fatigue limit load, Cu	373 kN
Nref	800 RPM
Nlim	1,200 RPM
Min operating temperature, Tmin	-40 °C
Max operating temperature, Tmax	392 °C
Characteristic cage frequency, FTF	0.45 Hz
Characteristic rolling element frequency, BSF	10.53 Hz
Characteristic outer ring frequency, BPF0	14.06 Hz
Characteristic inner ring frequency, BPF1	16.94 Hz



### Abutment dimensions

da min	15.6693 "
Da max	21.3386 "
ra max	0.1575 "

### Calculation factors

#### Equivalent dynamic radial load

$$P = X.F_r + Y.F_a$$

Fa / Fr ≤ e		Fa / Fr > e	
X	Y	X	Y
1	Y1	0.67	Y2

#### Equivalent static radial load

$$P_0 = X_0.F_r + Y_0.F_a$$

X <sub>0</sub>	Y <sub>0</sub>
1	Y0

The values for e, Y1, Y2 and Y0 are shown in the above table .