

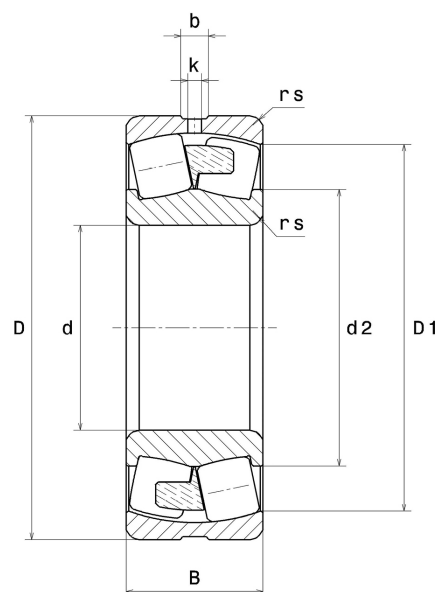
PDF technical sheet 23076EMW33C3



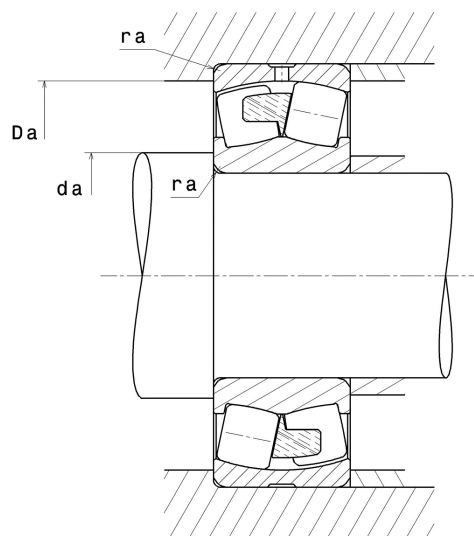
Double row spherical roller bearings

Spherical roller bearing, one-piece machined cage centred on inner ring, groove and lubrication holes on outer ring

Product definition	
d	14.9606 "
D	22.0472 "
B	5.3150 "
d2	17.4252 "
D1	20.1772 "
rs min	0.1969 "
Number of lubrication holes	8
b	0.7913 "
k	0.4724 "
e	0.22
Y1	3.07
Y2	4.57
Y0	3
Radial clearance class	C3
Mass	416.62 oz
Brand	SNR



Product performance	
Dynamic load, C	3,380 kN
Static load, C0	5,620 kN
Fatigue limit load, Cu	373 kN
Nref	800 RPM
Nlim	900 RPM
Min operating temperature, Tmin	-40 °C
Max operating temperature, Tmax	392 °C
Characteristic cage frequency, FTF	0.45 Hz
Characteristic rolling element frequency, BSF	10.53 Hz
Characteristic outer ring frequency, BPF0	14.06 Hz
Characteristic inner ring frequency, BPF1	16.94 Hz



Abutment dimensions

da min	15.6693 "
Da max	21.3386 "
ra max	0.1575 "

Calculation factors

Equivalent dynamic radial load

$$P = X.F_r + Y.F_a$$

Fa / Fr ≤ e		Fa / Fr > e	
X	Y	X	Y
1	Y1	0.67	Y2

Equivalent static radial load

$$P_0 = X_0.F_r + Y_0.F_a$$

X ₀	Y ₀
1	Y0

The values for e, Y1, Y2 and Y0 are shown in the above table .