

PDF technical sheet 22348EMKW33

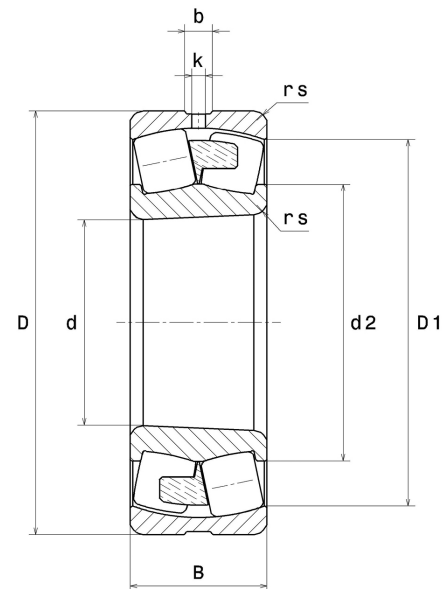


Double row spherical roller bearings

Spherical roller bearing, one-piece machined cage centred on inner ring, groove and lubrication holes on outer ring, tapered bore 1:12

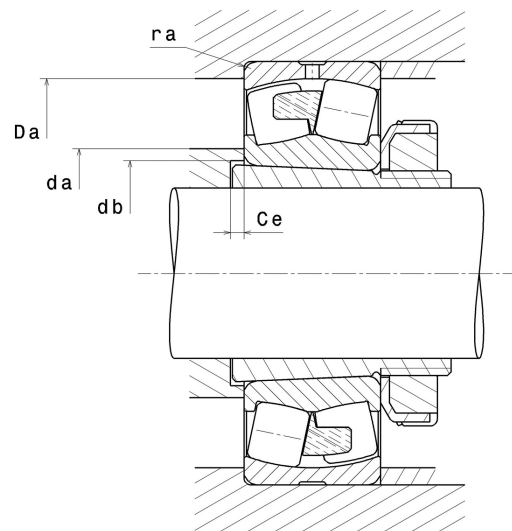
Product definition

d	9.4488 "
D	19.6850 "
B	6.1024 "
d2	12.5945 "
D1	17.1417 "
rs min	0.1969 "
Number of lubrication holes	8
b	0.7913 "
k	0.4724 "
Associated sleeve reference	H2348H
e	0.31
Y1	2.18
Y2	3.24
Y0	2.13
Radial clearance class	CN
Mass	508.97 oz
Brand	SNR



Product performance

Dynamic load, C	3,800 kN
Static load, C0	4,310 kN
Fatigue limit load, Cu	307 kN
Nref	800 RPM
Nlim	1,300 RPM
Min operating temperature, Tmin	-40 °C
Max operating temperature, Tmax	392 °C
Characteristic cage frequency, FTF	0.40 Hz
Characteristic rolling element frequency, BSF	4.88 Hz
Characteristic outer ring frequency, BPF0	6.05 Hz
Characteristic inner ring frequency, BPF1	8.95 Hz



Abutment dimensions

da min	10.2362 "
db min	10.1181 "
Ce min	0.4331 "
Da max	18.8976 "
ra max	0.1575 "

Calculation factors

Equivalent dynamic radial load

$$P = X.Fr + Y.Fa$$

Fa / Fr ≤ e		Fa / Fr > e	
X	Y	X	Y
1	Y1	0.67	Y2

Equivalent static radial load

$$P_0 = X_0.Fr + Y_0.Fa$$

X ₀	Y ₀
1	Y0

The values for e, Y1, Y2 and Y0 are shown in the above table .