

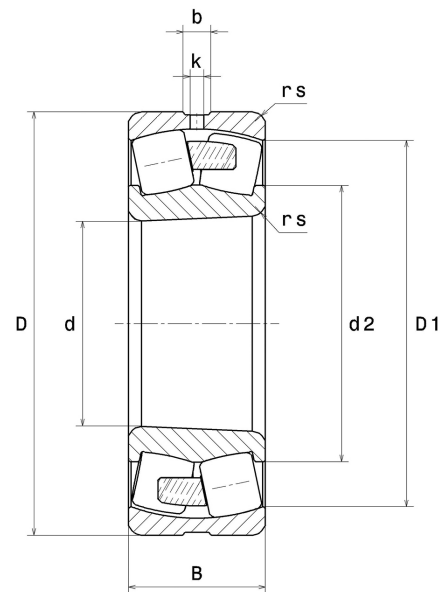
PDF technical sheet 22336EMKW33



Double row spherical roller bearings

Spherical roller bearing, one-piece machined cage, groove and lubrication holes on outer ring, tapered bore 1:12

Product definition	
d	7.0866 "
D	14.9606 "
B	4.9606 "
d2	9.5197 "
D1	12.9213 "
rs min	0.1575 "
Number of lubrication holes	3
b	0.8228 "
k	0.3937 "
Associated sleeve reference	H2336
e	0.32
Y1	2.09
Y2	3.11
Y0	2.04
Radial clearance class	CN
Mass	247.62 oz
Brand	SNR



Product performance	
Dynamic load, C	2,420 kN
Static load, C0	2,810 kN
Fatigue limit load, Cu	190 kN
Nref	1,200 RPM
Nlim	1,700 RPM
Min operating temperature, Tmin	-40 °C
Max operating temperature, Tmax	392 °C
Characteristic cage frequency, FTF	0.41 Hz
Characteristic rolling element frequency, BSF	5.31 Hz
Characteristic outer ring frequency, BPF0	6.57 Hz
Characteristic inner ring frequency, BPF1	9.43 Hz



Abutment dimensions

da min	7.7559 "
db min	7.6772 "
Ce min	0.3150 "
Da max	14.2913 "
ra max	0.1181 "

Calculation factors

Equivalent dynamic radial load

$$P = X.Fr + Y.Fa$$

Fa / Fr ≤ e		Fa / Fr > e	
X	Y	X	Y
1	Y1	0.67	Y2

Equivalent static radial load

$$P_0 = X_0.Fr + Y_0.Fa$$

X ₀	Y ₀
1	Y0

The values for e, Y1, Y2 and Y0 are shown in the above table .