

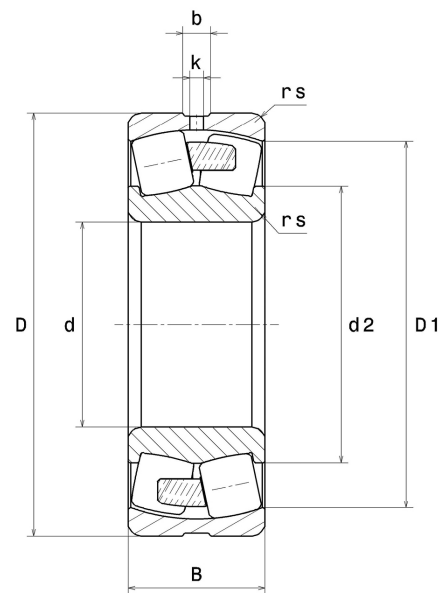
## PDF technical sheet 22330EMW33C4



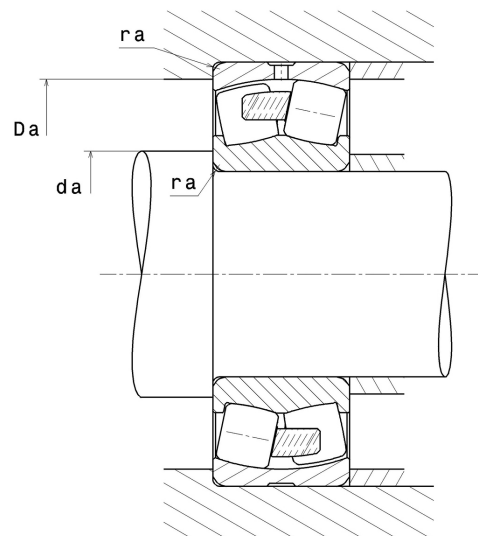
### Double row spherical roller bearings

Spherical roller bearing, one-piece machined cage, groove and lubrication holes on outer ring

Product definition	
d	5.9055 "
D	12.5984 "
B	4.2520 "
d2	7.9134 "
D1	10.9567 "
rs min	0.1575 "
Number of lubrication holes	3
b	0.7835 "
k	0.3543 "
e	0.34
Y1	2
Y2	2.98
Y0	1.96
Radial clearance class	C4
Mass	148.01 oz
Brand	SNR



Product performance	
Dynamic load, C	1,740 kN
Static load, C0	1,890 kN
Fatigue limit load, Cu	143 kN
Nref	1,500 RPM
Nlim	2,100 RPM
Min operating temperature, Tmin	-40 °C
Max operating temperature, Tmax	392 °C
Characteristic cage frequency, FTF	0.41 Hz
Characteristic rolling element frequency, BSF	4.96 Hz
Characteristic outer ring frequency, BPF0	6.08 Hz
Characteristic inner ring frequency, BPF1	8.92 Hz



### Abutment dimensions

da min	6.5748 "
Da max	11.9291 "
ra max	0.1181 "

### Calculation factors

#### Equivalent dynamic radial load

$$P = X.F_r + Y.F_a$$

Fa / Fr ≤ e		Fa / Fr > e	
X	Y	X	Y
1	Y1	0.67	Y2

#### Equivalent static radial load

$$P_0 = X_0.F_r + Y_0.F_a$$

X <sub>0</sub>	Y <sub>0</sub>
1	Y0

The values for e, Y1, Y2 and Y0 are shown in the above table .