

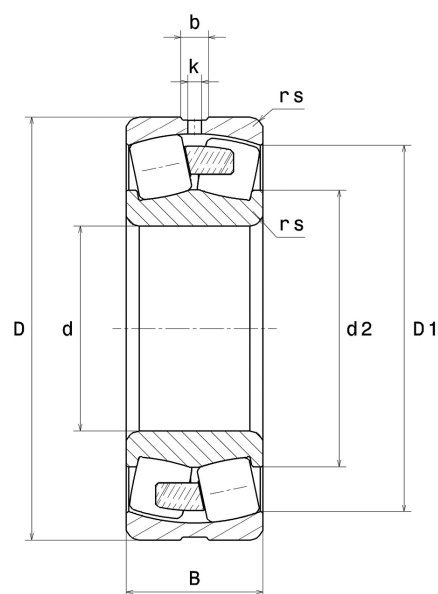
PDF technical sheet 22330EMW33C3



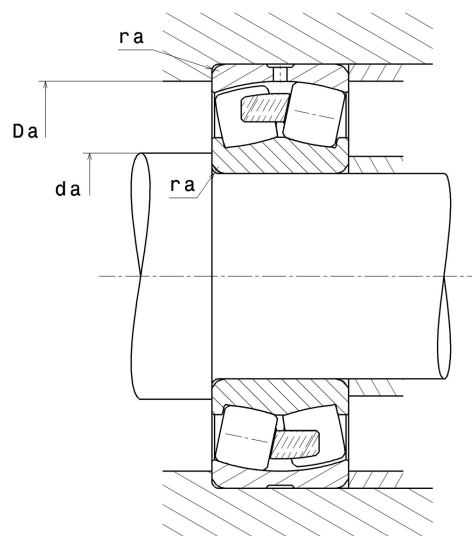
Double row spherical roller bearings

Spherical roller bearing, one-piece machined cage, groove and lubrication holes on outer ring

Product definition	
d	5.9055 "
D	12.5984 "
B	4.2520 "
d2	7.9134 "
D1	10.9567 "
rs min	0.1575 "
Number of lubrication holes	3
b	0.7835 "
k	0.3543 "
e	0.34
Y1	2
Y2	2.98
Y0	1.96
Radial clearance class	C3
Mass	148.01 oz
Brand	SNR



Product performance	
Dynamic load, C	1,740 kN
Static load, C0	1,890 kN
Fatigue limit load, Cu	143 kN
Nref	1,500 RPM
Nlim	2,100 RPM
Min operating temperature, Tmin	-40 °C
Max operating temperature, Tmax	392 °C
Characteristic cage frequency, FTF	0.41 Hz
Characteristic rolling element frequency, BSF	4.96 Hz
Characteristic outer ring frequency, BPF0	6.08 Hz
Characteristic inner ring frequency, BPF1	8.92 Hz



Abutment dimensions

da min	6.5748 "
Da max	11.9291 "
ra max	0.1181 "

Calculation factors

Equivalent dynamic radial load

$$P = X.F_r + Y.F_a$$

Fa / Fr ≤ e		Fa / Fr > e	
X	Y	X	Y
1	Y1	0.67	Y2

Equivalent static radial load

$$P_0 = X_0.F_r + Y_0.F_a$$

X ₀	Y ₀
1	Y0

The values for e, Y1, Y2 and Y0 are shown in the above table .