

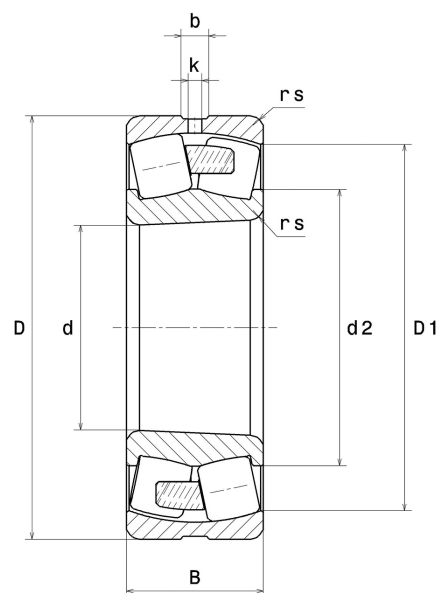
PDF technical sheet 22324EMKW33C3



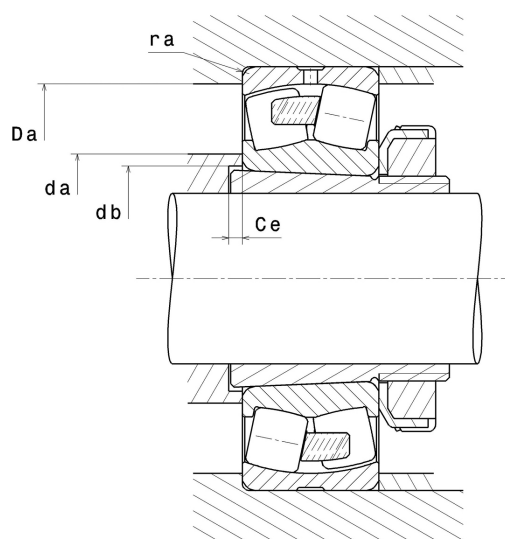
Double row spherical roller bearings

Spherical roller bearing, one-piece machined cage, groove and lubrication holes on outer ring, tapered bore 1:12

Product definition	
d	4.7244 "
D	10.2362 "
B	3.3858 "
d2	6.1772 "
D1	8.8189 "
rs min	0.1181 "
Number of lubrication holes	3
b	0.7087 "
k	0.3150 "
Associated sleeve reference	H2324
e	0.32
Y1	2.09
Y2	3.11
Y0	2.04
Radial clearance class	C3
Mass	78.13 oz
Brand	SNR



Product performance	
Dynamic load, C	1,170 kN
Static load, C0	1,280 kN
Fatigue limit load, Cu	96.20 kN
Nref	2,000 RPM
Nlim	2,500 RPM
Min operating temperature, Tmin	-40 °C
Max operating temperature, Tmax	392 °C
Characteristic cage frequency, FTF	0.41 Hz
Characteristic rolling element frequency, BSF	5.33 Hz
Characteristic outer ring frequency, BPF0	6.58 Hz
Characteristic inner ring frequency, BPF1	9.42 Hz



Abutment dimensions

da min	5.2756 "
db min	5.1575 "
Ce min	0.2756 "
Da max	9.6850 "
ra max	0.0984 "

Calculation factors

Equivalent dynamic radial load

$$P = X.Fr + Y.Fa$$

Fa / Fr ≤ e		Fa / Fr > e	
X	Y	X	Y
1	Y1	0.67	Y2

Equivalent static radial load

$$P_0 = X_0.Fr + Y_0.Fa$$

X ₀	Y ₀
1	Y0

The values for e, Y1, Y2 and Y0 are shown in the above table .