

## PDF technical sheet 22324EMC3

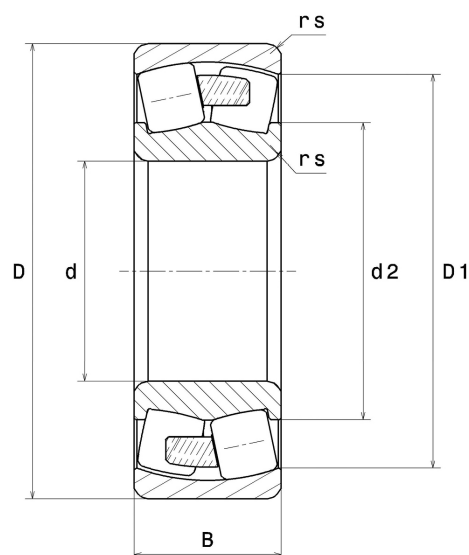


### Double row spherical roller bearings

Spherical roller bearing, one-piece machined cage

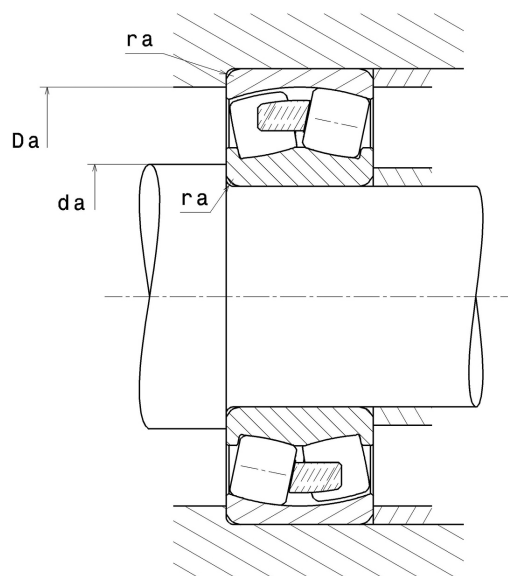
#### Product definition

d	4.7244 "
D	10.2362 "
B	3.3858 "
d2	6.1772 "
D1	8.8189 "
rs min	0.1181 "
Number of lubrication holes	
e	0.32
Y1	2.09
Y2	3.11
Y0	2.04
Radial clearance class	C3
Mass	80.25 oz
Brand	SNR



#### Product performance

Dynamic load, C	1,170 kN
Static load, C0	1,280 kN
Fatigue limit load, Cu	96.20 kN
Nref	2,000 RPM
Nlim	2,500 RPM
Min operating temperature, Tmin	-40 °C
Max operating temperature, Tmax	392 °C
Characteristic cage frequency, FTF	0.41 Hz
Characteristic rolling element frequency, BSF	5.33 Hz
Characteristic outer ring frequency, BPF0	6.58 Hz
Characteristic inner ring frequency, BPF1	9.42 Hz



### Abutment dimensions

da min	5.2756 "
Da max	9.6850 "
ra max	0.0984 "

### Calculation factors

#### Equivalent dynamic radial load

$$P = X.F_r + Y.F_a$$

Fa / Fr ≤ e		Fa / Fr > e	
X	Y	X	Y
1	Y1	0.67	Y2

#### Equivalent static radial load

$$P_0 = X_0.F_r + Y_0.F_a$$

X <sub>0</sub>	Y <sub>0</sub>
1	Y0

The values for e, Y1, Y2 and Y0 are shown in the above table .