

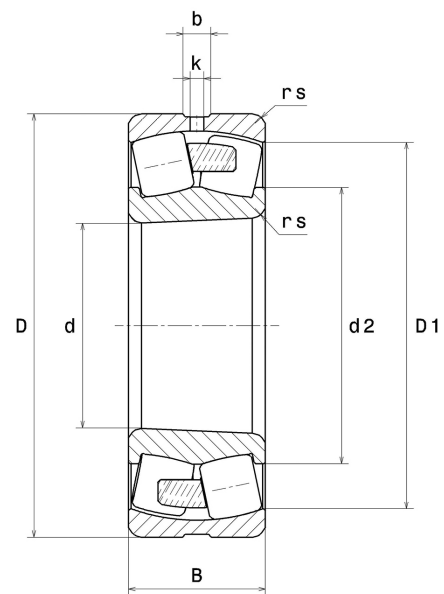
PDF technical sheet 22320EMKW33C3



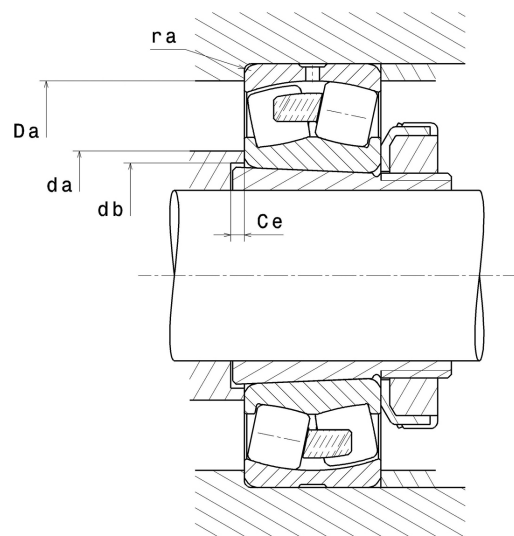
Double row spherical roller bearings

Spherical roller bearing, one-piece machined cage, groove and lubrication holes on outer ring, tapered bore 1:12

Product definition	
d	3.9370 "
D	8.4646 "
B	2.8740 "
d2	4.9882 "
D1	7.3504 "
rs min	0.1181 "
Number of lubrication holes	3
b	0.5236 "
k	0.2362 "
Associated sleeve reference	H2320
e	0.34
Y1	1.98
Y2	2.94
Y0	1.93
Radial clearance class	C3
Mass	44.27 oz
Brand	SNR



Product performance	
Dynamic load, C	827 kN
Static load, C0	844 kN
Fatigue limit load, Cu	72.40 kN
Nref	2,600 RPM
Nlim	3,100 RPM
Min operating temperature, Tmin	-40 °C
Max operating temperature, Tmax	392 °C
Characteristic cage frequency, FTF	0.41 Hz
Characteristic rolling element frequency, BSF	4.96 Hz
Characteristic outer ring frequency, BPF0	6.08 Hz
Characteristic inner ring frequency, BPF1	8.92 Hz



Abutment dimensions

da min	4.4882 "
db min	4.3307 "
Ce min	0.2756 "
Da max	7.9134 "
ra max	0.0984 "

Calculation factors

Equivalent dynamic radial load

$$P = X.Fr + Y.Fa$$

Fa / Fr ≤ e		Fa / Fr > e	
X	Y	X	Y
1	Y1	0.67	Y2

Equivalent static radial load

$$P_0 = X_0.Fr + Y_0.Fa$$

X ₀	Y ₀
1	Y0

The values for e, Y1, Y2 and Y0 are shown in the above table .