

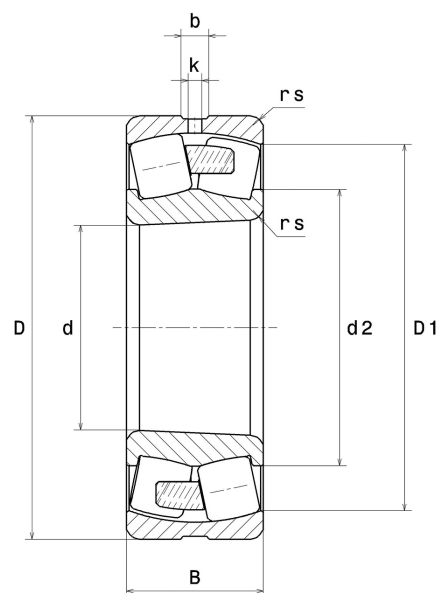
## PDF technical sheet 22320EMKW33



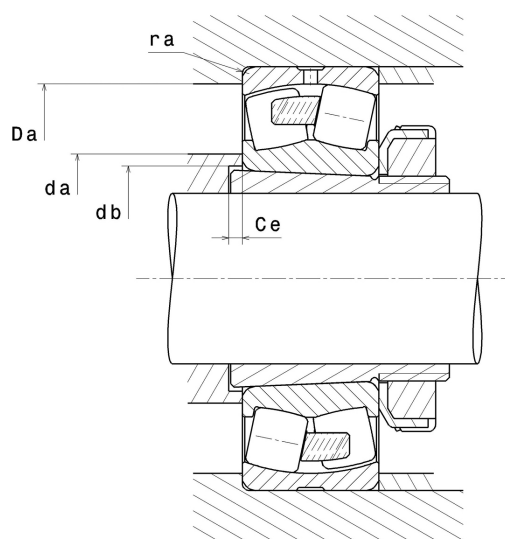
### Double row spherical roller bearings

Spherical roller bearing, one-piece machined cage, groove and lubrication holes on outer ring, tapered bore 1:12

Product definition	
d	3.9370 "
D	8.4646 "
B	2.8740 "
d2	4.9882 "
D1	7.3504 "
rs min	0.1181 "
Number of lubrication holes	3
b	0.5236 "
k	0.2362 "
Associated sleeve reference	H2320
e	0.34
Y1	1.98
Y2	2.94
Y0	1.93
Radial clearance class	CN
Mass	44.27 oz
Brand	SNR



Product performance	
Dynamic load, C	827 kN
Static load, C0	844 kN
Fatigue limit load, Cu	72.40 kN
Nref	2,600 RPM
Nlim	3,100 RPM
Min operating temperature, Tmin	-40 °C
Max operating temperature, Tmax	392 °C
Characteristic cage frequency, FTF	0.41 Hz
Characteristic rolling element frequency, BSF	4.96 Hz
Characteristic outer ring frequency, BPF0	6.08 Hz
Characteristic inner ring frequency, BPF1	8.92 Hz



### Abutment dimensions

da min	4.4882 "
db min	4.3307 "
Ce min	0.2756 "
Da max	7.9134 "
ra max	0.0984 "

### Calculation factors

#### Equivalent dynamic radial load

$$P = X.F_r + Y.F_a$$

Fa / Fr ≤ e		Fa / Fr > e	
X	Y	X	Y
1	Y1	0.67	Y2

#### Equivalent static radial load

$$P_0 = X_0.F_r + Y_0.F_a$$

X <sub>0</sub>	Y <sub>0</sub>
1	Y0

The values for e, Y1, Y2 and Y0 are shown in the above table .