

## PDF technical sheet 22320EMC3

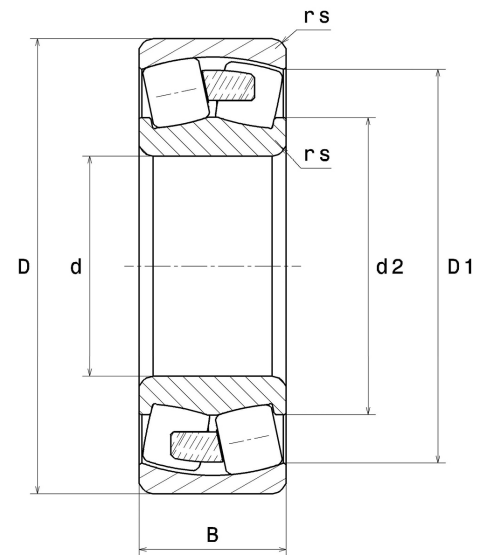


### Double row spherical roller bearings

Spherical roller bearing, one-piece machined cage

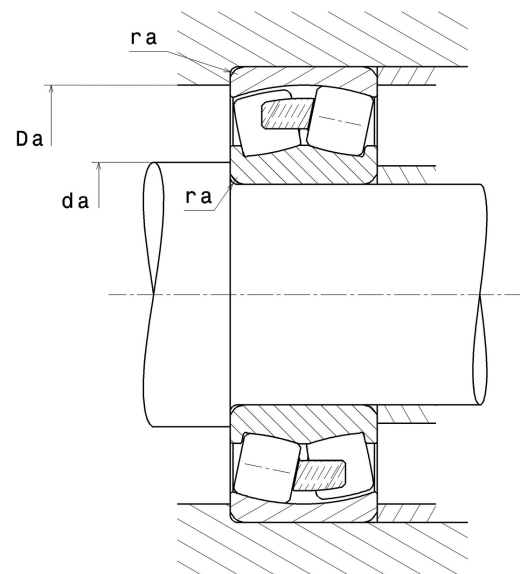
#### Product definition

d	3.9370 "
D	8.4646 "
B	2.8740 "
d2	4.9882 "
D1	7.3504 "
rs min	0.1181 "
Number of lubrication holes	
e	0.34
Y1	1.98
Y2	2.94
Y0	1.93
Radial clearance class	C3
Mass	45.15 oz
Brand	SNR



#### Product performance

Dynamic load, C	827 kN
Static load, C0	844 kN
Fatigue limit load, Cu	72.40 kN
Nref	2,600 RPM
Nlim	3,100 RPM
Min operating temperature, Tmin	-40 °C
Max operating temperature, Tmax	392 °C
Characteristic cage frequency, FTF	0.41 Hz
Characteristic rolling element frequency, BSF	4.96 Hz
Characteristic outer ring frequency, BPF0	6.08 Hz
Characteristic inner ring frequency, BPF1	8.92 Hz



### Abutment dimensions

da min	4.4882 "
Da max	7.9134 "
ra max	0.0984 "

### Calculation factors

#### Equivalent dynamic radial load

$$P = X \cdot Fr + Y \cdot Fa$$

Fa / Fr ≤ e		Fa / Fr > e	
X	Y	X	Y
1	Y1	0.67	Y2

#### Equivalent static radial load

$$Po = Xo \cdot Fr + Yo \cdot Fa$$

Xo	Yo
1	Y0

The values for e, Y1, Y2 and Y0 are shown in the above table .