

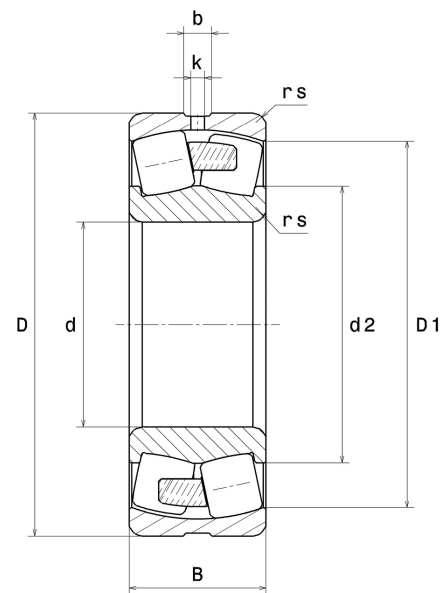
PDF technical sheet 22318EMW33



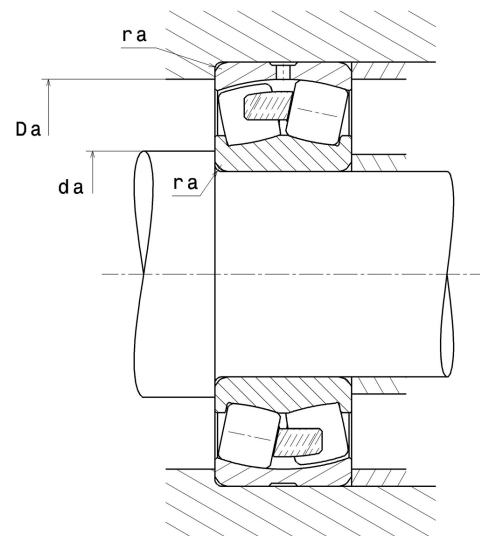
Double row spherical roller bearings

Spherical roller bearing, one-piece machined cage, groove and lubrication holes on outer ring

Product definition	
d	3.5433 "
D	7.4803 "
B	2.5197 "
d2	4.3346 "
D1	6.5000 "
rs min	0.1181 "
Number of lubrication holes	3
b	0.4567 "
k	0.1969 "
e	0.33
Y1	2.06
Y2	3.07
Y0	2.01
Radial clearance class	CN
Mass	29.99 oz
Brand	SNR



Product performance	
Dynamic load, C	668 kN
Static load, C0	652 kN
Fatigue limit load, Cu	58 kN
Nref	3,000 RPM
Nlim	3,500 RPM
Min operating temperature, Tmin	-40 °C
Max operating temperature, Tmax	392 °C
Characteristic cage frequency, FTF	0.40 Hz
Characteristic rolling element frequency, BSF	4.69 Hz
Characteristic outer ring frequency, BPF0	5.60 Hz
Characteristic inner ring frequency, BPF1	8.40 Hz



Abutment dimensions

da min	4.0945 "
Da max	6.9291 "
ra max	0.0984 "

Calculation factors

Equivalent dynamic radial load

$$P = X.F_r + Y.F_a$$

Fa / Fr ≤ e		Fa / Fr > e	
X	Y	X	Y
1	Y1	0.67	Y2

Equivalent static radial load

$$P_0 = X_0.F_r + Y_0.F_a$$

X ₀	Y ₀
1	Y0

The values for e, Y1, Y2 and Y0 are shown in the above table .