

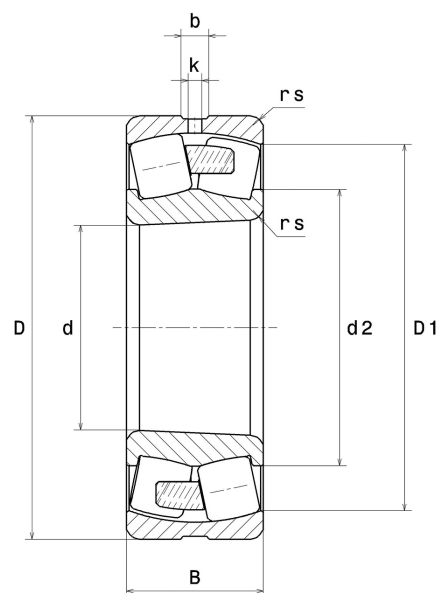
## PDF technical sheet 22316EMKW33



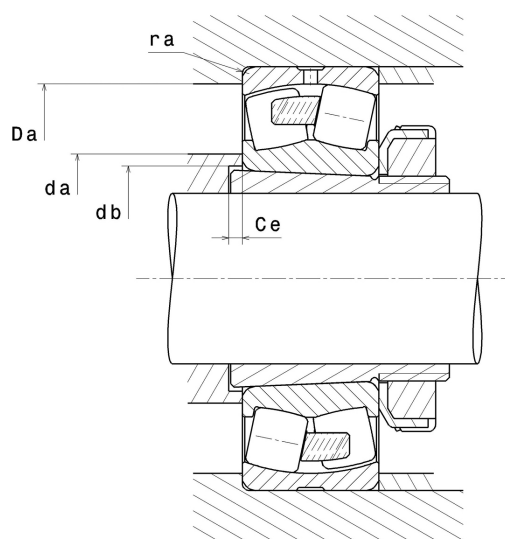
### Double row spherical roller bearings

Spherical roller bearing, one-piece machined cage, groove and lubrication holes on outer ring, tapered bore 1:12

Product definition	
d	3.1496 "
D	6.6929 "
B	2.2835 "
d2	3.8819 "
D1	5.8031 "
rs min	0.0827 "
Number of lubrication holes	3
b	0.4134 "
k	0.1969 "
Associated sleeve reference	H2316
e	0.34
Y1	2
Y2	2.98
Y0	1.96
Radial clearance class	CN
Mass	21.52 oz
Brand	SNR



Product performance	
Dynamic load, C	541 kN
Static load, C0	522 kN
Fatigue limit load, Cu	47.30 kN
Nref	3,400 RPM
Nlim	3,900 RPM
Min operating temperature, Tmin	-40 °C
Max operating temperature, Tmax	392 °C
Characteristic cage frequency, FTF	0.40 Hz
Characteristic rolling element frequency, BSF	4.75 Hz
Characteristic outer ring frequency, BPF0	5.62 Hz
Characteristic inner ring frequency, BPF1	8.38 Hz



### Abutment dimensions

da min	3.6220 "
db min	3.4646 "
Ce min	0.2362 "
Da max	6.2205 "
ra max	0.0787 "

### Calculation factors

#### Equivalent dynamic radial load

$$P = X.Fr + Y.Fa$$

Fa / Fr ≤ e		Fa / Fr > e	
X	Y	X	Y
1	Y1	0.67	Y2

#### Equivalent static radial load

$$P_0 = X_0.Fr + Y_0.Fa$$

X <sub>0</sub>	Y <sub>0</sub>
1	Y0

The values for e, Y1, Y2 and Y0 are shown in the above table .