

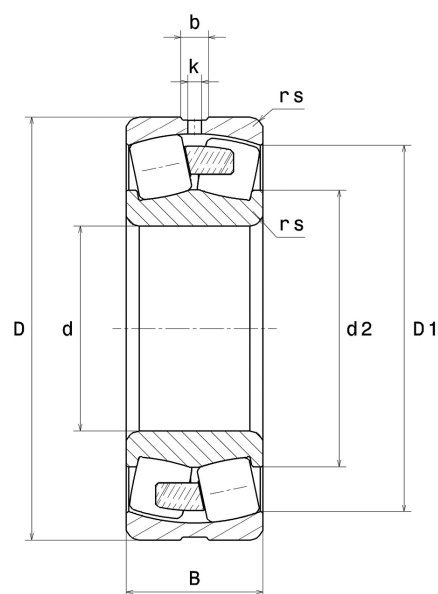
## PDF technical sheet 22313EMW33C4



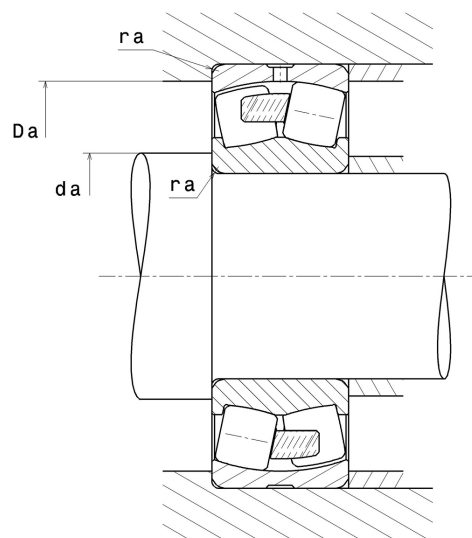
### Double row spherical roller bearings

Spherical roller bearing, one-piece machined cage, groove and lubrication holes on outer ring

Product definition	
d	2.5591 "
D	5.5118 "
B	1.8898 "
d2	3.2008 "
D1	4.7717 "
rs min	0.0827 "
Number of lubrication holes	3
b	0.3622 "
k	0.1575 "
e	0.33
Y1	2.06
Y2	3.06
Y0	2.01
Radial clearance class	C4
Mass	12.32 oz
Brand	SNR



Product performance	
Dynamic load, C	369 kN
Static load, C0	343 kN
Fatigue limit load, Cu	33.90 kN
Nref	4,000 RPM
Nlim	4,800 RPM
Min operating temperature, Tmin	-40 °C
Max operating temperature, Tmax	392 °C
Characteristic cage frequency, FTF	0.40 Hz
Characteristic rolling element frequency, BSF	4.75 Hz
Characteristic outer ring frequency, BPF0	5.62 Hz
Characteristic inner ring frequency, BPF1	8.39 Hz



### Abutment dimensions

da min	3.0315 "
Da max	5.0394 "
ra max	0.0787 "

### Calculation factors

#### Equivalent dynamic radial load

$$P = X.F_r + Y.F_a$$

Fa / Fr ≤ e		Fa / Fr > e	
X	Y	X	Y
1	Y1	0.67	Y2

#### Equivalent static radial load

$$P_0 = X_0.F_r + Y_0.F_a$$

X <sub>0</sub>	Y <sub>0</sub>
1	Y0

The values for e, Y1, Y2 and Y0 are shown in the above table .