

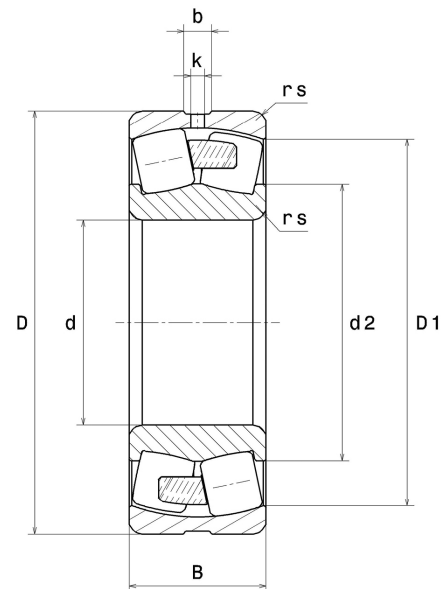
PDF technical sheet 22313EF800



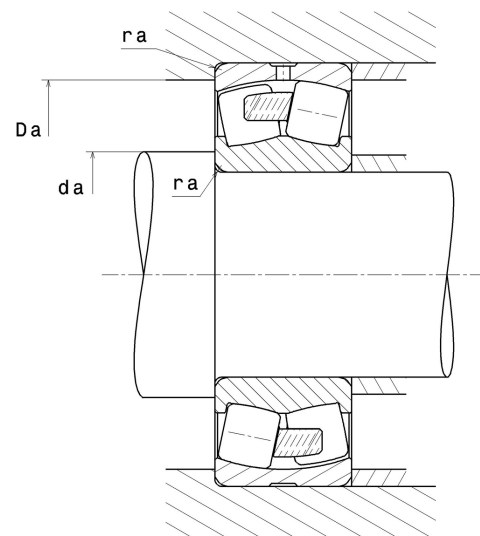
Double row spherical roller bearings

Spherical roller bearing for vibratory applications, one-piece machined cage, groove and lubrication holes on outer ring, special C4 class clearance

Product definition	
d	2.5591 "
D	5.5118 "
B	1.8898 "
d2	3.2008 "
D1	4.7717 "
rs min	0.0827 "
Number of lubrication holes	3
b	0.3622 "
k	0.1575 "
e	0.33
Y1	2.06
Y2	3.06
Y0	2.01
Radial clearance class	C4 Special
Mass	12.32 oz
Brand	SNR



Product performance	
Dynamic load, C	369 kN
Static load, C0	343 kN
Fatigue limit load, Cu	33.90 kN
Nref	4,000 RPM
Nlim	4,800 RPM
Min operating temperature, Tmin	-40 °C
Max operating temperature, Tmax	392 °C
Characteristic cage frequency, FTF	0.40 Hz
Characteristic rolling element frequency, BSF	4.75 Hz
Characteristic outer ring frequency, BPF0	5.62 Hz
Characteristic inner ring frequency, BPF1	8.39 Hz



Abutment dimensions

da min	3.0315 "
Da max	5.0394 "
ra max	0.0787 "

Calculation factors

Equivalent dynamic radial load

$$P = X.F_r + Y.F_a$$

Fa / Fr ≤ e		Fa / Fr > e	
X	Y	X	Y
1	Y1	0.67	Y2

Equivalent static radial load

$$P_0 = X_0.F_r + Y_0.F_a$$

X ₀	Y ₀
1	Y0

The values for e, Y1, Y2 and Y0 are shown in the above table .