

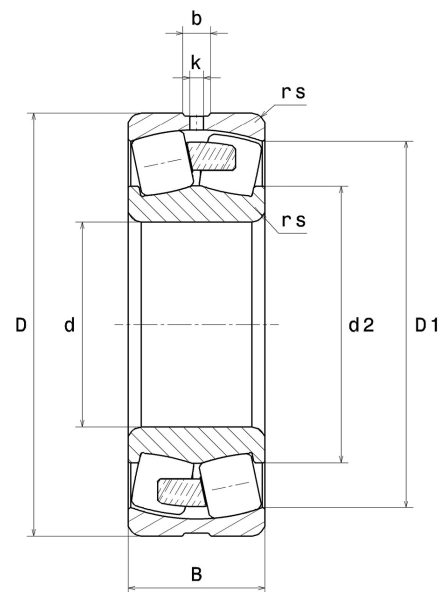
## PDF technical sheet 22244EMW33



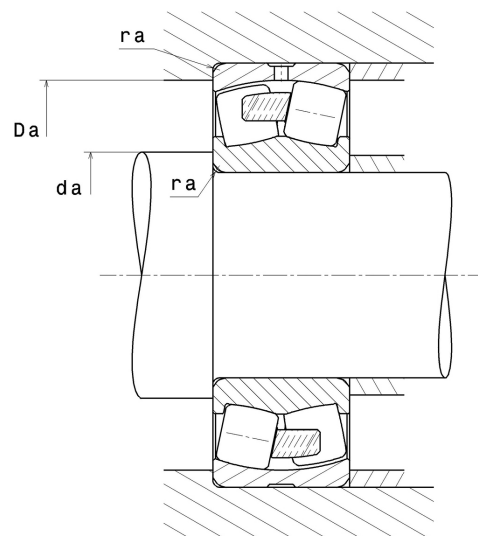
### Double row spherical roller bearings

Spherical roller bearing, one-piece machined cage, groove and lubrication holes on outer ring

Product definition	
d	8.6614 "
D	15.7480 "
B	4.2520 "
D1	14.0827 "
rs min	0.1575 "
Number of lubrication holes	3
b	0.8110 "
k	0.4331 "
e	0.25
Y1	2.74
Y2	4.08
Y0	2.68
Radial clearance class	CN
Mass	209.79 oz
Brand	SNR



Product performance	
Dynamic load, C	2,210 kN
Static load, C0	2,690 kN
Fatigue limit load, Cu	213 kN
Nref	1,300 RPM
Nlim	2,000 RPM
Min operating temperature, Tmin	-40 °C
Max operating temperature, Tmax	392 °C
Characteristic cage frequency, FTF	0.42 Hz
Characteristic rolling element frequency, BSF	6.35 Hz
Characteristic outer ring frequency, BPF0	8.06 Hz
Characteristic inner ring frequency, BPF1	10.94 Hz



### Abutment dimensions

da min	9.3307 "
Da max	15.0787 "
ra max	0.1181 "

### Calculation factors

#### Equivalent dynamic radial load

$$P = X.F_r + Y.F_a$$

Fa / Fr ≤ e		Fa / Fr > e	
X	Y	X	Y
1	Y1	0.67	Y2

#### Equivalent static radial load

$$P_0 = X_0.F_r + Y_0.F_a$$

X <sub>0</sub>	Y <sub>0</sub>
1	Y0

The values for e, Y1, Y2 and Y0 are shown in the above table .