

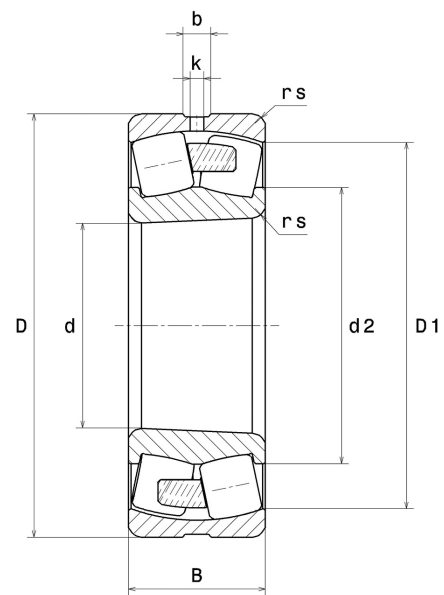
## PDF technical sheet 22234EMKW33



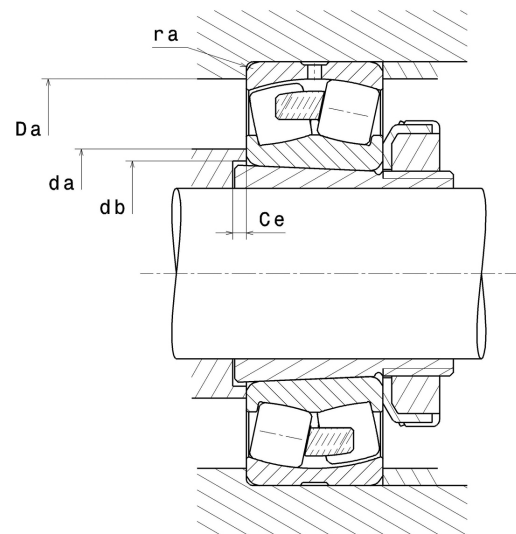
### Double row spherical roller bearings

Spherical roller bearing, one-piece machined cage, groove and lubrication holes on outer ring, tapered bore 1:12

Product definition	
d	6.6929 "
D	12.2047 "
B	3.3858 "
D1	10.8819 "
rs min	0.1575 "
Number of lubrication holes	3
b	0.7087 "
k	0.3150 "
Associated sleeve reference	H3134
e	0.26
Y1	2.6
Y2	3.87
Y0	2.54
Radial clearance class	CN
Mass	98.77 oz
Brand	SNR



Product performance	
Dynamic load, C	1,400 kN
Static load, C0	1,610 kN
Fatigue limit load, Cu	136 kN
Nref	1,900 RPM
Nlim	2,700 RPM
Min operating temperature, Tmin	-40 °C
Max operating temperature, Tmax	392 °C
Characteristic cage frequency, FTF	0.42 Hz
Characteristic rolling element frequency, BSF	6.11 Hz
Characteristic outer ring frequency, BPF0	7.58 Hz
Characteristic inner ring frequency, BPF1	10.42 Hz



### Abutment dimensions

da min	7.3622 "
Da max	11.5354 "
ra max	0.1181 "

### Calculation factors

#### Equivalent dynamic radial load

$$P = X.F_r + Y.F_a$$

Fa / Fr ≤ e		Fa / Fr > e	
X	Y	X	Y
1	Y1	0.67	Y2

#### Equivalent static radial load

$$P_0 = X_0.F_r + Y_0.F_a$$

X <sub>0</sub>	Y <sub>0</sub>
1	Y0

The values for e, Y1, Y2 and Y0 are shown in the above table .