

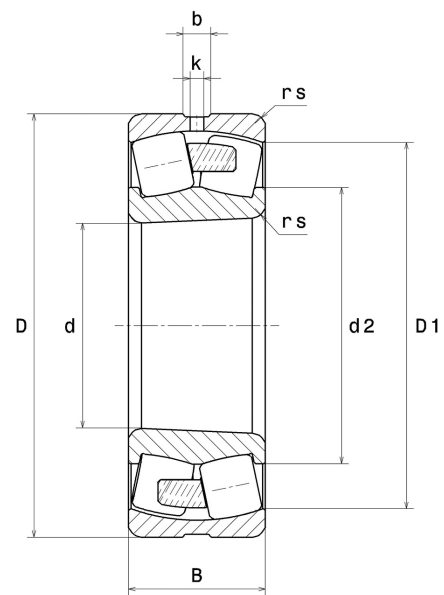
PDF technical sheet 22209EMKW33



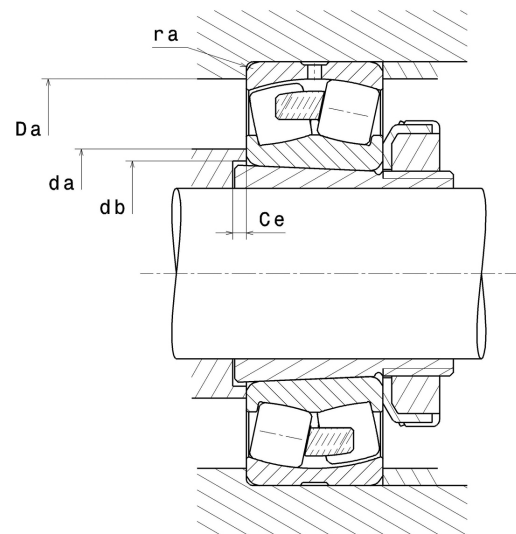
Double row spherical roller bearings

Spherical roller bearing, one-piece machined cage, groove and lubrication holes on outer ring, tapered bore 1:12

Product definition	
d	1.7717 "
D	3.3465 "
B	0.9055 "
D1	2.9764 "
rs min	0.0433 "
Number of lubrication holes	3
b	0.2283 "
k	0.0984 "
Associated sleeve reference	H309
e	0.26
Y1	2.64
Y2	3.94
Y0	2.58
Radial clearance class	CN
Mass	1.59 oz
Brand	SNR



Product performance	
Dynamic load, C	116 kN
Static load, C0	106 kN
Fatigue limit load, Cu	11.80 kN
Nref	7,500 RPM
Nlim	9,800 RPM
Min operating temperature, Tmin	-40 °C
Max operating temperature, Tmax	392 °C
Characteristic cage frequency, FTF	0.42 Hz
Characteristic rolling element frequency, BSF	6.07 Hz
Characteristic outer ring frequency, BPF0	6.73 Hz
Characteristic inner ring frequency, BPF1	9.27 Hz



Abutment dimensions

da min	2.0472 "
Da max	3.0709 "
ra max	0.0394 "

Calculation factors

Equivalent dynamic radial load

$$P = X.F_r + Y.F_a$$

Fa / Fr ≤ e		Fa / Fr > e	
X	Y	X	Y
1	Y1	0.67	Y2

Equivalent static radial load

$$P_0 = X_0.F_r + Y_0.F_a$$

X ₀	Y ₀
1	Y0

The values for e, Y1, Y2 and Y0 are shown in the above table .