

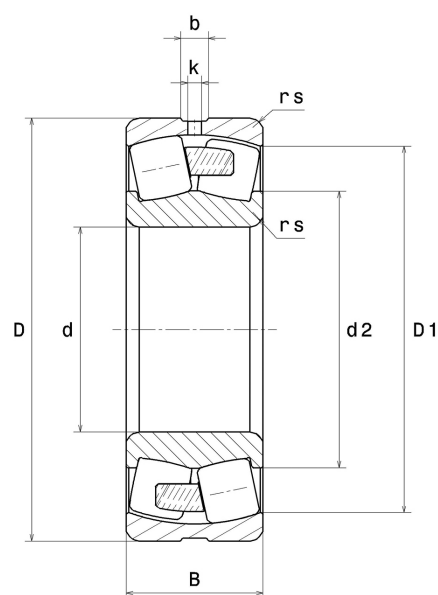
PDF technical sheet 22207EMW33



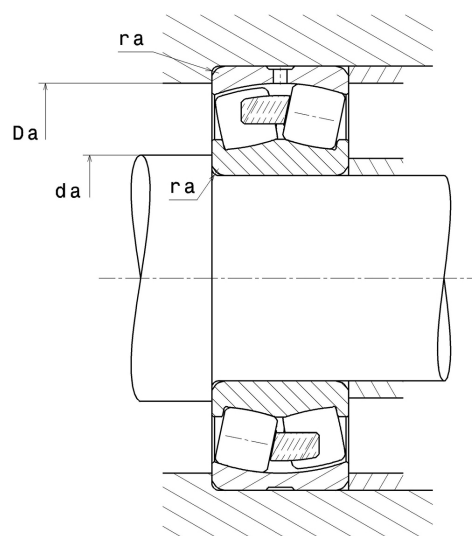
Double row spherical roller bearings

Spherical roller bearing, one-piece machined cage, groove and lubrication holes on outer ring

Product definition	
d	1.3780 "
D	2.8346 "
B	0.9055 "
D1	2.4803 "
rs min	0.0433 "
Number of lubrication holes	3
b	0.1929 "
k	0.0787 "
e	0.31
Y1	2.21
Y2	3.29
Y0	2.16
Radial clearance class	CN
Mass	1.55 oz
Brand	SNR



Product performance	
Dynamic load, C	100 kN
Static load, C0	92 kN
Fatigue limit load, Cu	8.65 kN
Nref	9,500 RPM
Nlim	12,000 RPM
Min operating temperature, Tmin	-40 °C
Max operating temperature, Tmax	392 °C
Characteristic cage frequency, FTF	0.42 Hz
Characteristic rolling element frequency, BSF	5.75 Hz
Characteristic outer ring frequency, BPF0	6.68 Hz
Characteristic inner ring frequency, BPF1	9.33 Hz



Abutment dimensions

da min	1.6535 "
Da max	2.5591 "
ra max	0.0394 "

Calculation factors

Equivalent dynamic radial load

$$P = X.F_r + Y.F_a$$

Fa / Fr ≤ e		Fa / Fr > e	
X	Y	X	Y
1	Y1	0.67	Y2

Equivalent static radial load

$$P_o = X_o.F_r + Y_o.F_a$$

X ₀	Y ₀
1	Y0

The values for e, Y1, Y2 and Y0 are shown in the above table .