

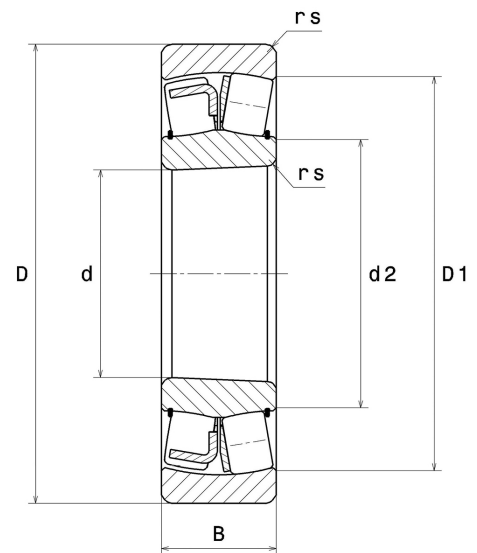
PDF technical sheet 21315VK



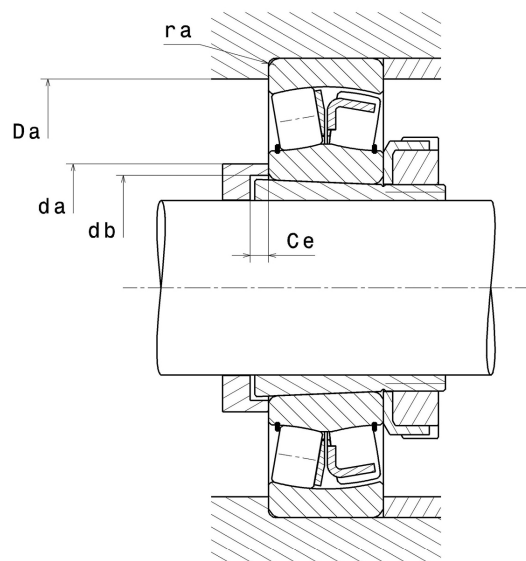
Double row spherical roller bearings

Spherical roller bearing, pressed steel cage, tapered bore 1:12

Product definition	
d	2.9528 "
D	6.2992 "
B	1.4567 "
d2	3.8465 "
D1	5.3543 "
rs min	0.0827 "
Number of lubrication holes	
Associated sleeve reference	H315
e	0.23
Y1	2.93
Y2	4.37
Y0	2.87
Radial clearance class	CN
Mass	12.52 oz
Brand	SNR



Product performance	
Dynamic load, C	295 kN
Static load, C0	274 kN
Fatigue limit load, Cu	35.20 kN
Nref	4,000 RPM
Nlim	5,200 RPM
Min operating temperature, Tmin	-40 °C
Max operating temperature, Tmax	392 °C
Characteristic cage frequency, FTF	0.42 Hz
Characteristic rolling element frequency, BSF	5.79 Hz
Characteristic outer ring frequency, BPF0	6.26 Hz
Characteristic inner ring frequency, BPF1	8.75 Hz



Abutment dimensions

da min	3.4252 "
Da max	5.8268 "
ra max	0.0787 "

Calculation factors

Equivalent dynamic radial load

$$P = X.F_r + Y.F_a$$

Fa / Fr ≤ e		Fa / Fr > e	
X	Y	X	Y
1	Y1	0.67	Y2

Equivalent static radial load

$$P_0 = X_0.F_r + Y_0.F_a$$

X ₀	Y ₀
1	Y0

The values for e, Y1, Y2 and Y0 are shown in the above table .