

PDF technical sheet 21312V

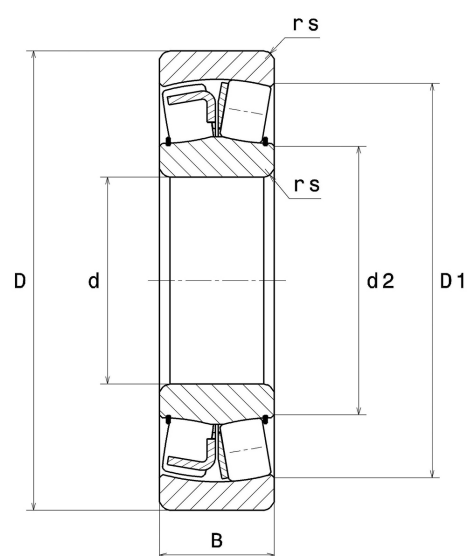


Double row spherical roller bearings

Spherical roller bearing, pressed steel cage

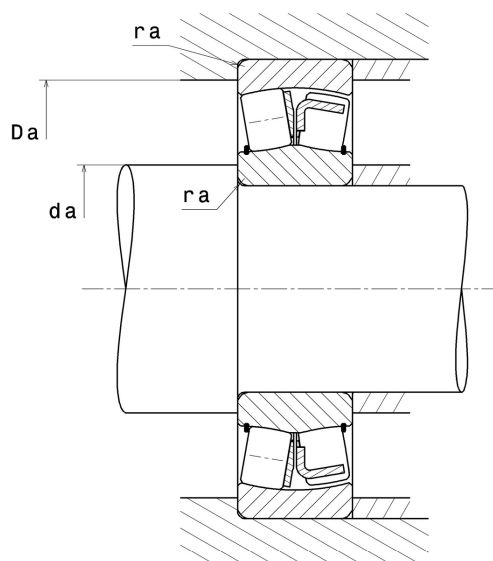
Product definition

d	2.3622 "
D	5.1181 "
B	1.2205 "
d2	3.1299 "
D1	4.3268 "
rs min	0.0827 "
Number of lubrication holes	
e	0.24
Y1	2.82
Y2	4.19
Y0	2.75
Radial clearance class	CN
Mass	7.01 oz
Brand	SNR



Product performance

Dynamic load, C	196 kN
Static load, C0	179 kN
Fatigue limit load, Cu	23.70 kN
Nref	4,700 RPM
Nlim	6,400 RPM
Min operating temperature, Tmin	-40 °C
Max operating temperature, Tmax	392 °C
Characteristic cage frequency, FTF	0.42 Hz
Characteristic rolling element frequency, BSF	5.92 Hz
Characteristic outer ring frequency, BPF0	6.28 Hz
Characteristic inner ring frequency, BPF1	8.72 Hz



Abutment dimensions

da min	2.8346 "
Da max	4.6457 "
ra max	0.0787 "

Calculation factors

Equivalent dynamic radial load

$$P = X.F_r + Y.F_a$$

Fa / Fr ≤ e		Fa / Fr > e	
X	Y	X	Y
1	Y1	0.67	Y2

Equivalent static radial load

$$P_0 = X_0.F_r + Y_0.F_a$$

X ₀	Y ₀
1	Y0

The values for e, Y1, Y2 and Y0 are shown in the above table .