

PDF technical sheet 21309EA

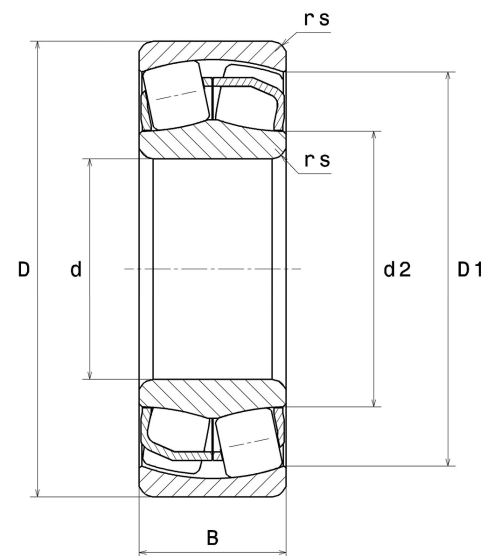


Double row spherical roller bearings

Spherical roller bearing, pressed steel cage

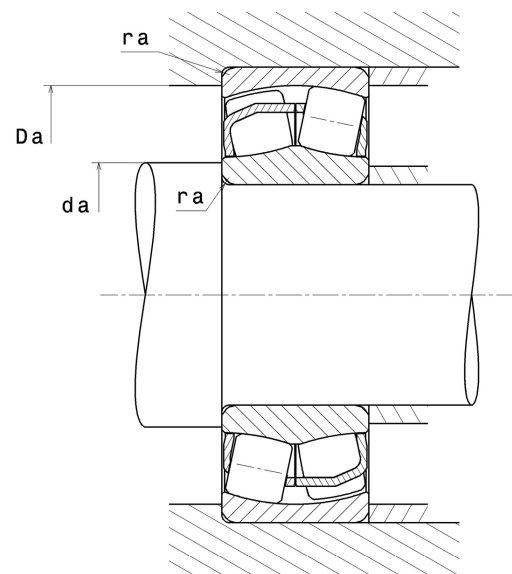
Product definition

d	1.7717 "
D	3.9370 "
B	0.9843 "
d2	2.5591 "
D1	3.4134 "
rs min	0.0591 "
Number of lubrication holes	
e	0.23
Y1	2.9
Y2	4.31
Y0	2.83
Radial clearance class	CN
Mass	3.39 oz
Brand	SNR



Product performance

Dynamic load, C	138 kN
Static load, C0	134 kN
Fatigue limit load, Cu	16.40 kN
Nref	5,600 RPM
Nlim	8,300 RPM
Min operating temperature, Tmin	-40 °C
Max operating temperature, Tmax	392 °C
Characteristic cage frequency, FTF	0.43 Hz
Characteristic rolling element frequency, BSF	6.64 Hz
Characteristic outer ring frequency, BPF0	7.69 Hz
Characteristic inner ring frequency, BPF1	10.31 Hz



Abutment dimensions

da min	2.1260 "
Da max	3.5827 "
ra max	0.0591 "

Calculation factors

Equivalent dynamic radial load

$$P = X.F_r + Y.F_a$$

Fa / Fr ≤ e		Fa / Fr > e	
X	Y	X	Y
1	Y1	0.67	Y2

Equivalent static radial load

$$P_0 = X_0.F_r + Y_0.F_a$$

X ₀	Y ₀
1	Y0

The values for e, Y1, Y2 and Y0 are shown in the above table .