

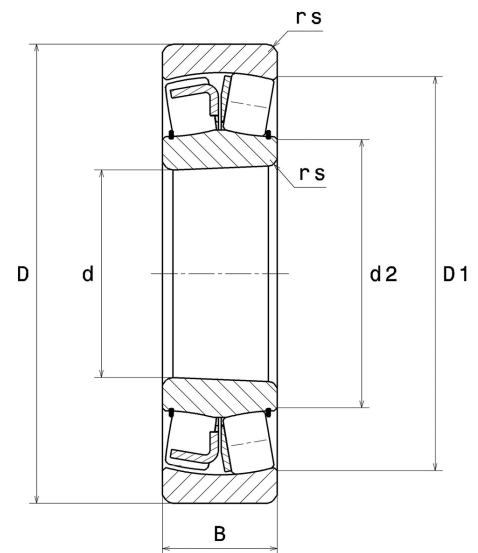
## PDF technical sheet 21306VKC3



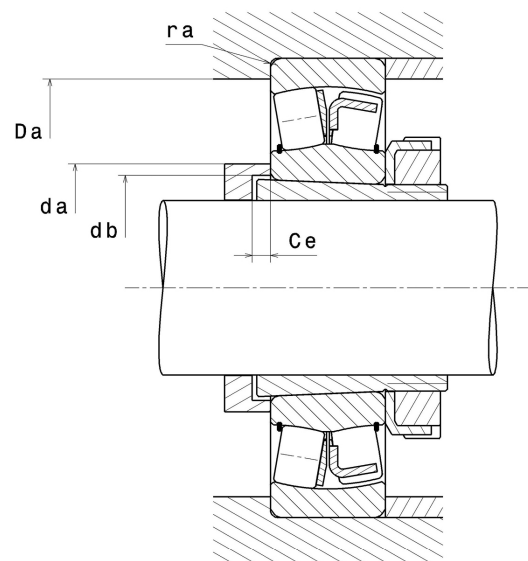
### Double row spherical roller bearings

Spherical roller bearing, pressed steel cage, tapered bore 1:12

Product definition	
d	1.1811 "
D	2.8346 "
B	0.7480 "
d2	1.6063 "
D1	2.3504 "
rs min	0.0433 "
Number of lubrication holes	
Associated sleeve reference	H306
e	0.28
Y1	2.45
Y2	3.64
Y0	2.39
Radial clearance class	C3
Mass	1.35 oz
Brand	SNR



Product performance	
Dynamic load, C	66.20 kN
Static load, C0	50.40 kN
Fatigue limit load, Cu	6.60 kN
Nref	7,800 RPM
Nlim	12,000 RPM
Min operating temperature, Tmin	-40 °C
Max operating temperature, Tmax	392 °C
Characteristic cage frequency, FTF	0.41 Hz
Characteristic rolling element frequency, BSF	4.97 Hz
Characteristic outer ring frequency, BPF0	4.86 Hz
Characteristic inner ring frequency, BPF1	7.14 Hz



### Abutment dimensions

da min	1.4567 "
Da max	2.5591 "
ra max	0.0394 "

### Calculation factors

#### Equivalent dynamic radial load

$$P = X.F_r + Y.F_a$$

Fa / Fr ≤ e		Fa / Fr > e	
X	Y	X	Y
1	Y1	0.67	Y2

#### Equivalent static radial load

$$P_0 = X_0.F_r + Y_0.F_a$$

X <sub>0</sub>	Y <sub>0</sub>
1	Y0

The values for e, Y1, Y2 and Y0 are shown in the above table .