

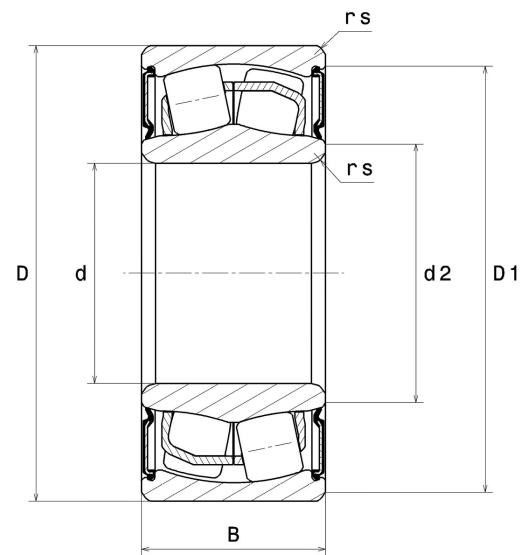
# PDF technical sheet 10X22215EAEEL



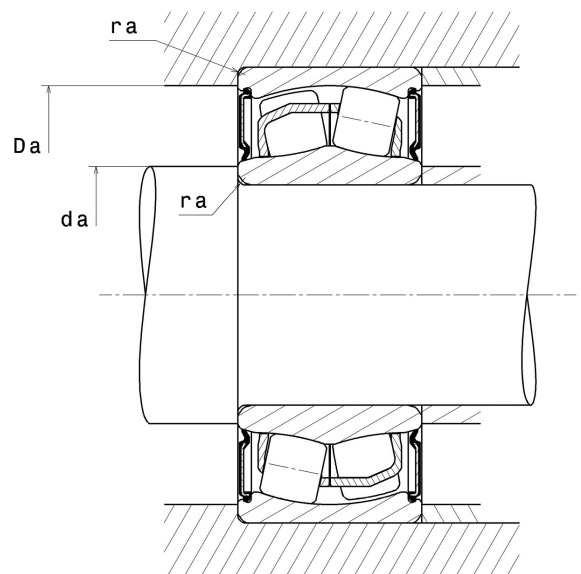
## Double row spherical roller bearings

Spherical roller bearing, pressed steel cage, non ISO width, contact seals on both sides

Product definition	
d	2.9528 "
D	5.1181 "
B	1.4961 "
d2	3.3504 "
D1	4.7874 "
rs min	0.0591 "
e	0.22
Y1	3.13
Y2	4.67
Y0	3.06
Radial clearance class	CN
Mass	6.84 oz
Brand	SNR



Product performance	
Dynamic load, C	244 kN
Static load, C0	249 kN
Fatigue limit load, Cu	30.30 kN
Nlim	1,300 RPM
Min operating temperature, Tmin	14 °C
Max operating temperature, Tmax	248 °C
Characteristic cage frequency, FTF	0.43 Hz
Characteristic rolling element frequency, BSF	6.71 Hz
Characteristic outer ring frequency, BPF0	8.13 Hz
Characteristic inner ring frequency, BPF1	10.87 Hz



### Abutment dimensions

da min	3.3071 "
da max	3.3504 "
Da max	4.7638 "
ra max	0.0591 "

### Calculation factors

#### Equivalent dynamic radial load

$$P = X \cdot Fr + Y \cdot Fa$$

Fa / Fr ≤ e		Fa / Fr > e	
X	Y	X	Y
1	Y1	0.67	Y2

#### Equivalent static radial load

$$P_0 = X_0 \cdot Fr + Y_0 \cdot Fa$$

X <sub>0</sub>	Y <sub>0</sub>
1	Y0

The values for e, Y1, Y2 and Y0 are shown in the above table .