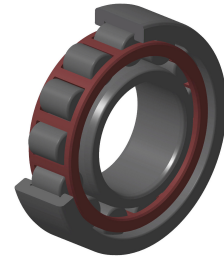


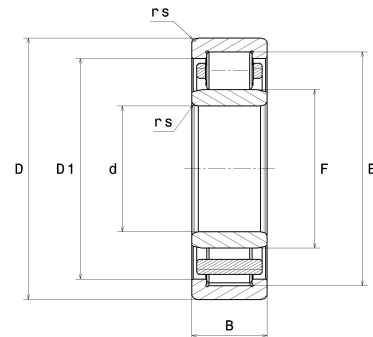
PDF technical sheet NU314EG15J30



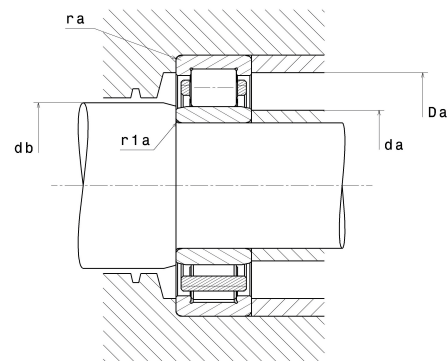
Single row cylindrical roller bearings

Single row cylindrical roller bearing, floating, separable, polyamide cage

| Product definition | |
|------------------------|----------|
| d | 2.7559 " |
| D | 5.9055 " |
| B | 1.3780 " |
| E | 5.2362 " |
| F | 3.5039 " |
| D1 | 4.9921 " |
| rs min | 0.0827 " |
| r1s min | 0.0827 " |
| Radial clearance class | C3 |
| Mass (without HJ ring) | 9.84 oz |
| Brand | SNR |



| Product performance | |
|---|-----------|
| Dynamic load, C | 206 kN |
| Static load, C0 | 224 kN |
| Fatigue limit load, Cu | 26.50 kN |
| Nref | 4,300 RPM |
| Nlim | 5,600 RPM |
| Min operating temperature, Tmin | -4 °C |
| Max operating temperature, Tmax | 248 °C |
| Characteristic cage frequency, FTF | 0.40 Hz |
| Characteristic rolling element frequency, BSF | 4.85 Hz |
| Characteristic outer ring frequency, BPF0 | 5.21 Hz |
| Characteristic inner ring frequency, BPF1 | 7.79 Hz |



| Abutment dimensions | |
|---------------------|----------|
| da min | 3.1890 " |
| da max | 3.4252 " |
| Da max | 5.4724 " |
| ra max | 0.0787 " |
| r1a max | 0.0787 " |

Calculation factors

Equivalent dynamic radial load

$$P = Fr$$

Equivalent static radial load

$$P_0 = Fr$$