

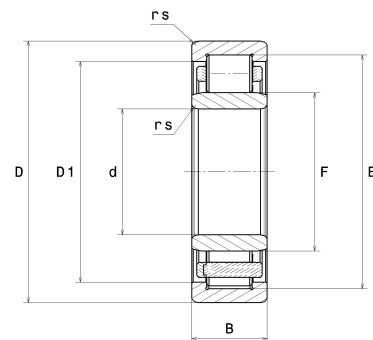
PDF technical sheet NU2330EMJ30



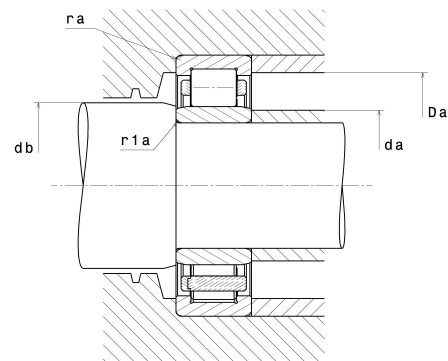
Single row cylindrical roller bearings

Single row cylindrical roller bearing, floating, separable, brass cage

Product definition	
d	5.9055 "
D	12.5984 "
B	4.2520 "
E	11.1417 "
F	7.5984 "
D1	10.6220 "
rs min	0.1575 "
r1s min	0.1575 "
Radial clearance class	C3
Mass (without HJ ring)	152.38 oz
Brand	SNR



Product performance	
Dynamic load, C	1,170 kN
Static load, C0	1,620 kN
Fatigue limit load, Cu	152 kN
Nref	1,500 RPM
Nlim	3,300 RPM
Min operating temperature, Tmin	-40 °C
Max operating temperature, Tmax	248 °C
Characteristic cage frequency, FTF	0.41 Hz
Characteristic rolling element frequency, BSF	5.10 Hz
Characteristic outer ring frequency, BPF0	5.68 Hz
Characteristic inner ring frequency, BPF1	8.32 Hz



Abutment dimensions	
da min	6.5354 "
da max	7.4803 "
Da max	11.9685 "
ra max	0.1181 "
r1a max	0.1181 "

Calculation factors

Equivalent dynamic radial load

$$P = Fr$$

Equivalent static radial load

$$P_0 = Fr$$