

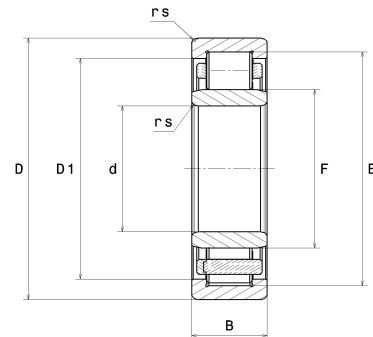
PDF technical sheet NU228EMJ30



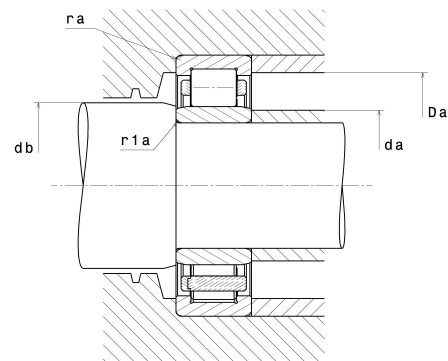
Single row cylindrical roller bearings

Single row cylindrical roller bearing, floating, separable, brass cage

| Product definition | |
|------------------------|----------|
| d | 5.5118 " |
| D | 9.8425 " |
| B | 1.6535 " |
| E | 8.8583 " |
| F | 6.6535 " |
| D1 | 8.5315 " |
| rs min | 0.1181 " |
| r1s min | 0.1181 " |
| Radial clearance class | C3 |
| Mass (without HJ ring) | 33.51 oz |
| Brand | SNR |



| Product performance | |
|---|-----------|
| Dynamic load, C | 397 kN |
| Static load, C0 | 522 kN |
| Fatigue limit load, Cu | 51.90 kN |
| Nref | 2,600 RPM |
| Nlim | 4,100 RPM |
| Min operating temperature, Tmin | -40 °C |
| Max operating temperature, Tmax | 248 °C |
| Characteristic cage frequency, FTF | 0.43 Hz |
| Characteristic rolling element frequency, BSF | 6.89 Hz |
| Characteristic outer ring frequency, BPF0 | 8.15 Hz |
| Characteristic inner ring frequency, BPF1 | 10.85 Hz |



| Abutment dimensions | |
|---------------------|----------|
| da min | 6.0236 " |
| da max | 6.5354 " |
| Da max | 9.3307 " |
| ra max | 0.0984 " |
| r1a max | 0.0984 " |

Calculation factors

Equivalent dynamic radial load

$$P = Fr$$

Equivalent static radial load

$$P_0 = Fr$$