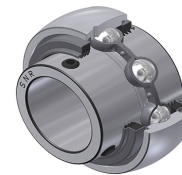


PDF technical sheet

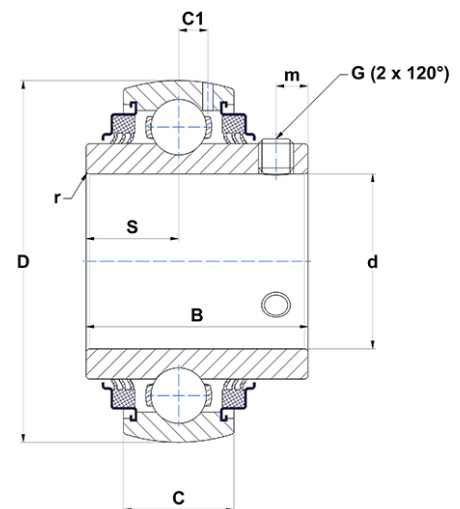
UC328G2L3



Insert bearings

spherical outer diameter, fixing by socket set screw, triple lip seal

Product definition	
B	5.7087 "
C	2.8740 "
C1	0.9843 "
d	5.5118 "
D	11.8110 "
G	M20x1,5
m	0.7874 "
r	4
S	2.3228 "
SW	0.3937 "



m.ncatalog.fo.featuresotherperformance	
C	275 kN
C0	272 kN
T min.	-4 °C
T max.	212 °C

Other features	
Weight	100.53 oz
Recommended tightening torque for set screw	120 Nm