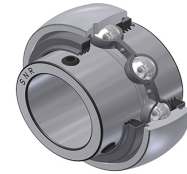


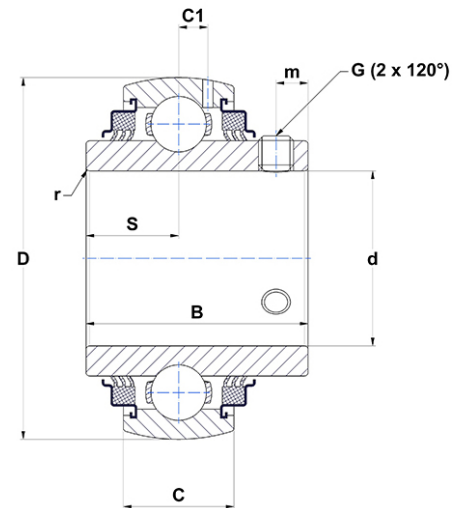
## PDF technical sheet UC321G2L3



### Insert bearings

spherical outer diameter, fixing by socket set screw, triple lip seal

Product definition	
B	4.4094 "
C	2.2441 "
C1	0.7874 "
d	4.1339 "
D	8.8583 "
G	M18x1,5
m	0.7087 "
r	3
S	1.7323 "
SW	0.3543 "



m.ncatalog.fo.featuresotherperformance	
C	182 kN
C0	155 kN
T min.	-4 °C
T max.	212 °C

Other features	
Weight	43.03 oz
Recommended tightening torque for set screw	75 Nm