

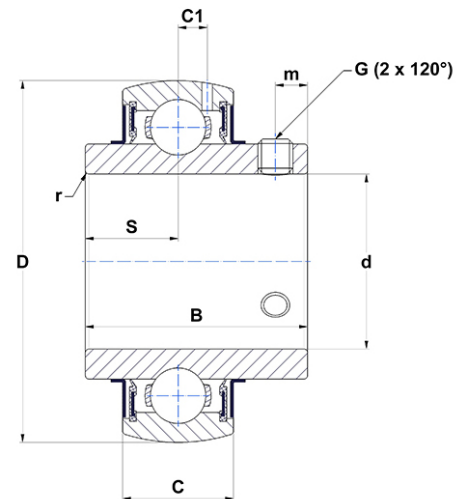
PDF technical sheet UC32064G2



Insert bearings

zinc-coated insert, spherical outer diameter with locking pin, fixing by socket set screw, seal with slinger, food grease

| Product definition | |
|--------------------|----------|
| B | 4.2520 " |
| C | 2.1260 " |
| C1 | 0.7480 " |
| d | 4.0000 " |
| D | 8.4646 " |
| G | 5/818UNF |
| m | 0.7087 " |
| r | 3.5 |
| S | 1.6535 " |
| SW | 0.3125 " |



| m.ncatalog.fo.featuresotherperformance | |
|--|-----------|
| C | 171.60 kN |
| C0 | 140 kN |
| T min. | -4 °C |
| T max. | 212 °C |

| Other features | |
|---|----------|
| Weight | 38.80 oz |
| Recommended tightening torque for set screw | 54.50 Nm |