

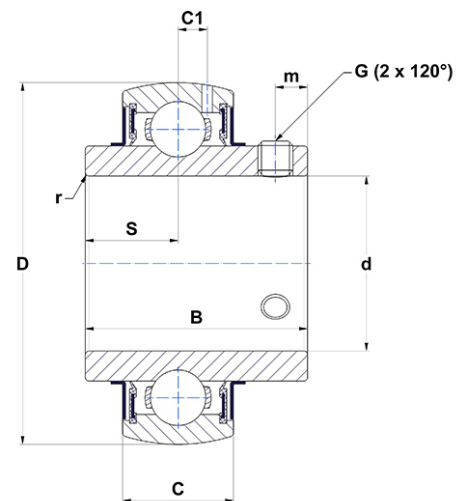
PDF technical sheet UC31856G2



Insert bearings

zinc-coated insert, spherical outer diameter with locking pin, fixing by socket set screw, seal with slinger, food grease

Product definition	
B	3.7795 "
C	1.8898 "
C1	0.6496 "
d	3.5000 "
D	7.4803 "
G	5/818UNF
m	0.6299 "
r	3.5
S	1.5748 "
SW	0.3125 "



m.ncatalog.fo.featuresotherperformance	
C	143 kN
C0	108 kN
T min.	-4 °C
T max.	212 °C

Other features	
Weight	28.32 oz
Recommended tightening torque for set screw	54.50 Nm