

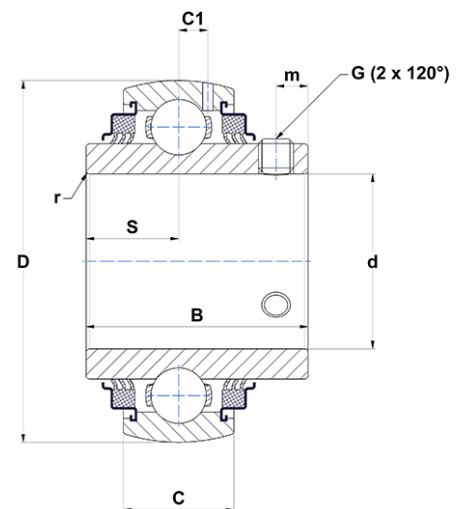
PDF technical sheet UC31443G2L3



Insert bearings

spherical outer diameter, fixing by socket set screw, triple lip seal

Product definition	
B	3.0709 "
C	1.5748 "
C1	0.5039 "
d	2.6875 "
D	5.9055 "
G	7/1620UNF
m	0.4724 "
r	2.5
S	1.2992 "
SW	0.2187 "



m.ncatalog.fo.featuresotherperformance	
C	104.26 kN
C0	68 kN
T min.	-4 °C
T max.	212 °C

Other features	
Weight	14.11 oz
Recommended tightening torque for set screw	27.10 Nm