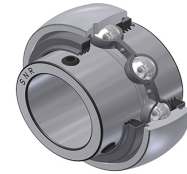


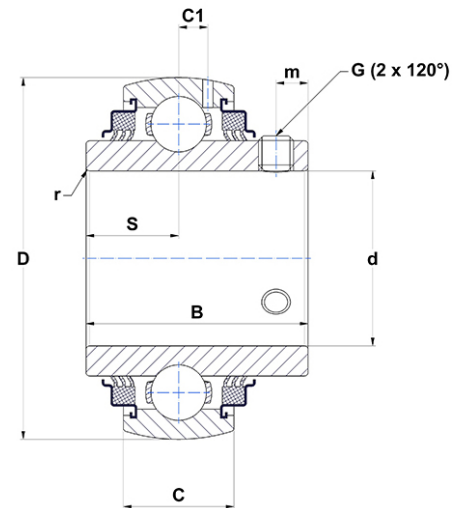
## PDF technical sheet UC313G2L3



### Insert bearings

spherical outer diameter, fixing by socket set screw, triple lip seal

Product definition	
B	2.9528 "
C	1.4961 "
C1	0.4764 "
d	2.5591 "
D	5.5118 "
G	M12x1,25
m	0.4724 "
r	2
S	1.1811 "
SW	0.2362 "



m.ncatalog.fo.featuresotherperformance	
C	93.86 kN
C0	60.50 kN
T min.	-4 °C
T max.	212 °C

Other features	
Weight	11.46 oz
Recommended tightening torque for set screw	33 Nm