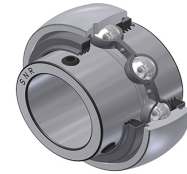


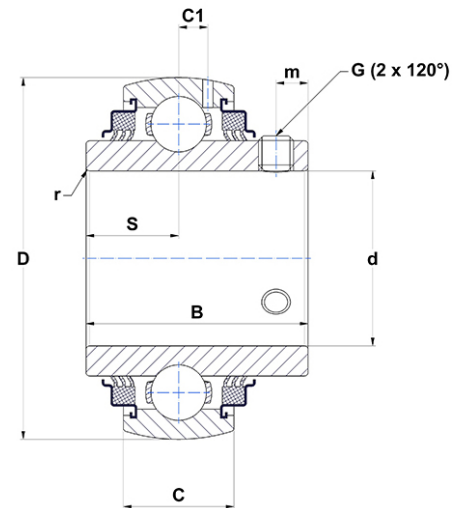
PDF technical sheet UC310G2L3



Insert bearings

spherical outer diameter, fixing by socket set screw, triple lip seal

Product definition	
B	2.4016 "
C	1.2598 "
C1	0.3898 "
d	1.9685 "
D	4.3307 "
G	M12x1,25
m	0.4724 "
r	2
S	0.8661 "
SW	0.2362 "



m.ncatalog.fo.featuresotherperformance	
C	62 kN
C0	37.80 kN
T min.	-4 °C
T max.	212 °C

Other features	
Weight	5.82 oz
Recommended tightening torque for set screw	33 Nm