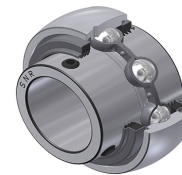


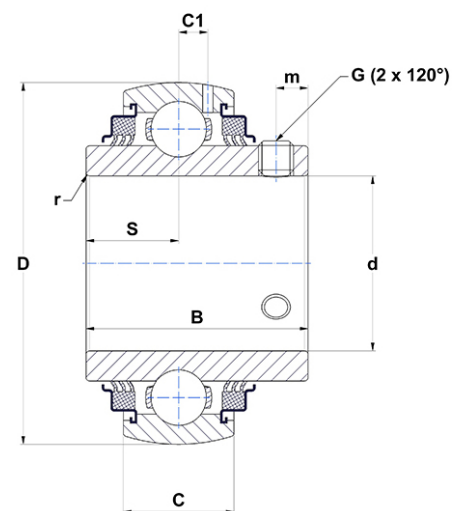
## PDF technical sheet UC31031G2L3



### Insert bearings

spherical outer diameter, fixing by socket set screw, triple lip seal

Product definition	
B	2.4016 "
C	1.2598 "
C1	0.3898 "
d	1.9375 "
D	4.3307 "
G	7/1620UNF
m	0.4724 "
r	2
S	0.8661 "
SW	0.2187 "



m.ncatalog.fo.featuresotherperformance	
C	62 kN
C0	37.80 kN
T min.	-4 °C
T max.	212 °C

Other features	
Weight	5.93 oz
Recommended tightening torque for set screw	27.10 Nm