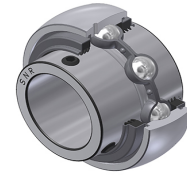


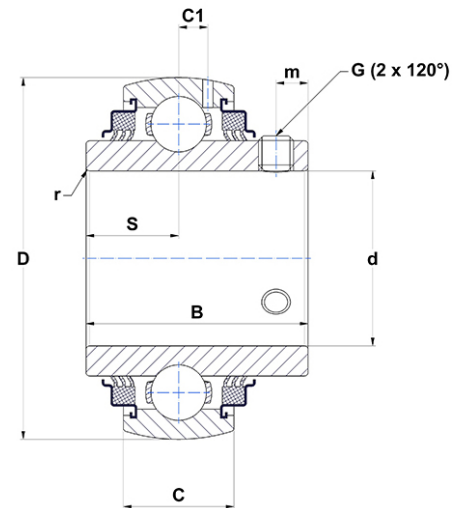
## PDF technical sheet UC308G2L3



### Insert bearings

spherical outer diameter, fixing by socket set screw, triple lip seal

Product definition	
B	2.0472 "
C	1.1024 "
C1	0.3346 "
d	1.5748 "
D	3.5433 "
G	M10x1,25
m	0.3937 "
r	2
S	0.7480 "
SW	0.1969 "



m.ncatalog.fo.featuresotherperformance	
C	40.56 kN
C0	24 kN
T min.	-4 °C
T max.	212 °C

Other features	
Weight	3.39 oz
Recommended tightening torque for set screw	22 Nm