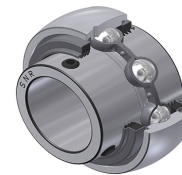


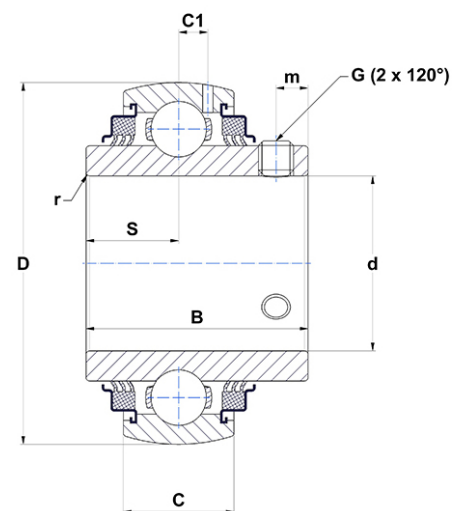
PDF technical sheet UC30618G2L3



Insert bearings

spherical outer diameter, fixing by socket set screw, triple lip seal

| Product definition | |
|--------------------|----------|
| B | 1.6929 " |
| C | 0.9449 " |
| C1 | 0.2559 " |
| d | 1.1250 " |
| D | 2.8346 " |
| G | 1/428UNF |
| m | 0.2362 " |
| r | 1.5 |
| S | 0.6693 " |
| SW | 0.1250 " |



| m.ncatalog.fo.featuresotherperformance | |
|--|----------|
| C | 27 kN |
| C0 | 15.20 kN |
| T min. | -4 °C |
| T max. | 212 °C |

| Other features | |
|---|---------|
| Weight | 2.05 oz |
| Recommended tightening torque for set screw | 3.70 Nm |